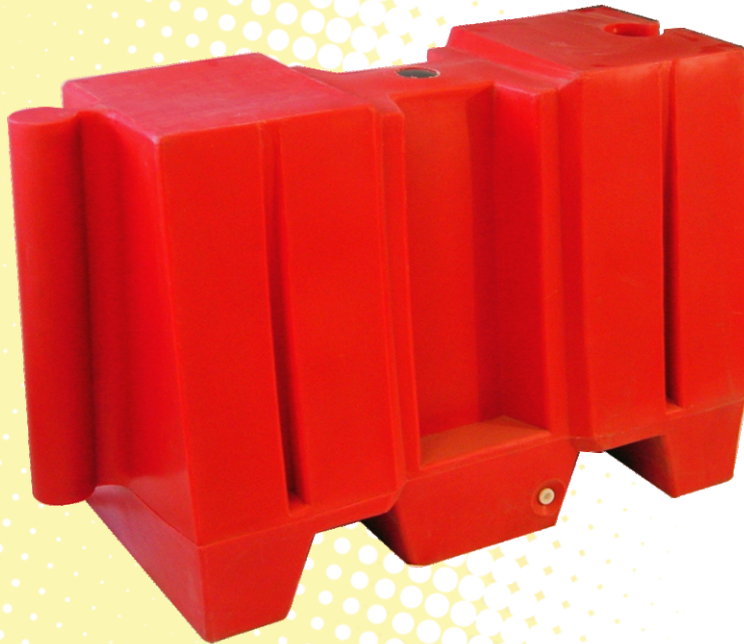
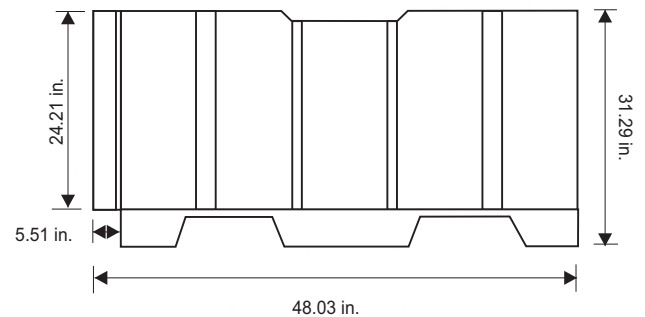


Leader don't follow steps
... marks the way



Features:

- * Great versatile barrier can fill-in with sand or water, also can be used empty.
- * All weathering resistant, including UV rays and extreme temperature changes.
- * Different colors.
- * Design for a perfect stack that means savings in the transport bill.
- * Smooth surfaces and without sharpen edges or corners, a completely harmless product.
- * Very useful as a traffic marker between lanes, for signalise in road works and as a central barrier in highways.
- * With a bond system male-female for an easy and quick installation.



Technical Data

* **Manufactured in:** Medium density polyethylene.

* **Measure:**
 Length: 48.03 in.
 Width: 21.65 in.
 Height: 31.29 in.

