

Leader don't follow steps
... marks the way



PIC-OB-I



PIC-OB-R

FEATURES

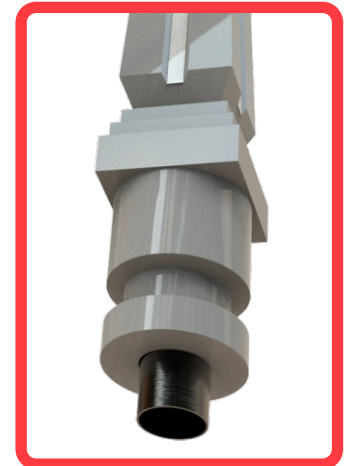
- Decorative and modern bollard, its esthetics grounds on elegance first.
- Very useful as a urban aligner.
- Help to create a safe and high standard environment.
- All our bollards are environmental friendly.
- Made out in medium density polyethylene.
- PIC-OB-I: This is made out with 100% recycled material with reinforced steel skeleton.
- PIC-OB-R: Can be used in hollow mode or filled with cement or concrete, also has steel soul.
- Line colors: granite, antique gray, green, black among others (i.e. sand, antique gold) on demand over 200 pieces.
- All weather resistant including UV ray protection.
- No oxidation and no dirt concentration.
- No maintenance needed, high impact resistance.
- Drowned anchorage.

WHAT BOLLARDS ARE?

Outstanding traffic equipment for cities with two main purposes: delimit street room and protect people.

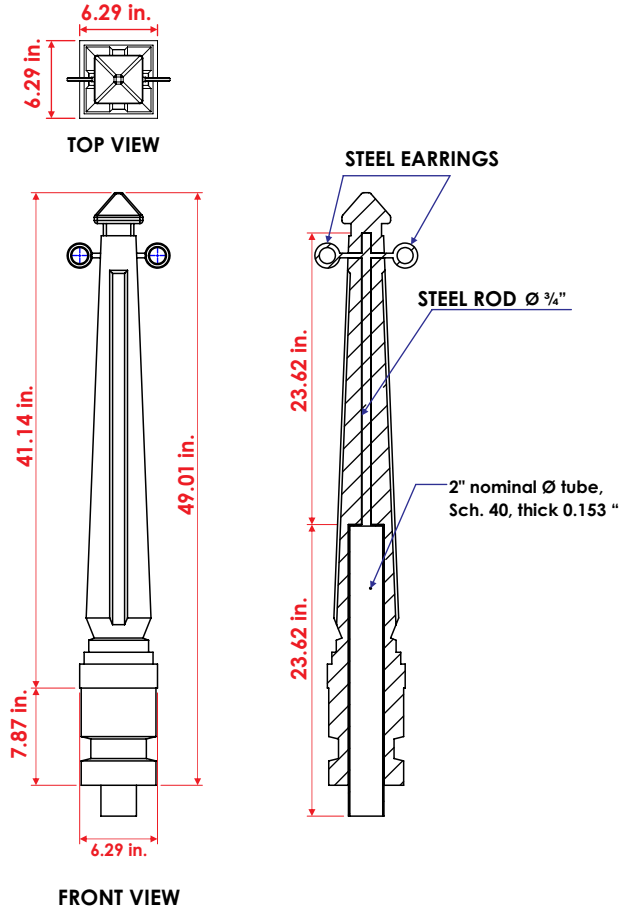
The main function is to separate the automotor areas out of the pedestrian and bicycle zones, saving lifes and bettering the image of any neighborhood.

Suggested use in public and private terrains.



Images are merely illustrative models

Measures are nominal and can vary, between +/- 2%.
All dimensions in inches and onces & lb.



Measure

PIC-GE-R

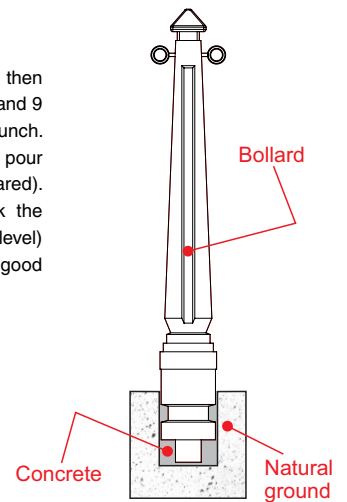
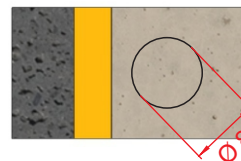
Length: 6.29 in.

Width: 6.29 in.

Functional height: 41.14 in.

Anchorage

First mark the auger ubication, then perforate a hole 10 inches diameter and 9 inches depth with a perforating punch. Clear of dirt the hole as possible and pour the cement mix (previously prepared). Insert just the bollard base, check the level (no more, no less than floor level) and fill the rest of the hole to get a good cimentation.



Recommended use

