

A leader doesn't follow steps
... he marks the way



WHAT IS AN ABSORB?

A crash cushion with our Triple Container Impact Absorber technology (TCIA) which is an enhanced cushioning impact modular system. It's more effective because it doesn't rebound on vehicles. It's categorized as a suitable product according to regulation.

WHAT DOES AN ABSORB DO?

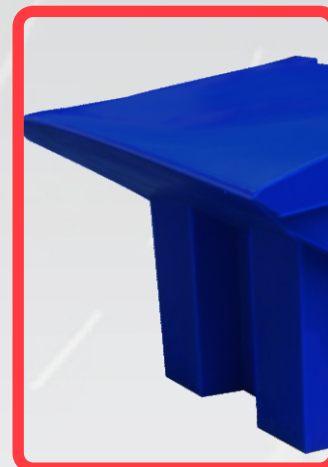
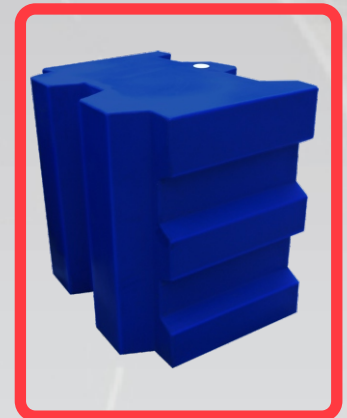
When it's filled with water absorbs minor impacts and when it's filled with sand can absorb bigger, stronger, and frontal impacts.

RECOMMENDED USES

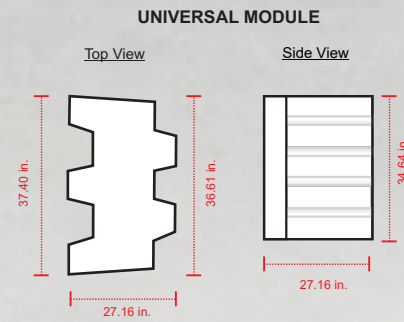
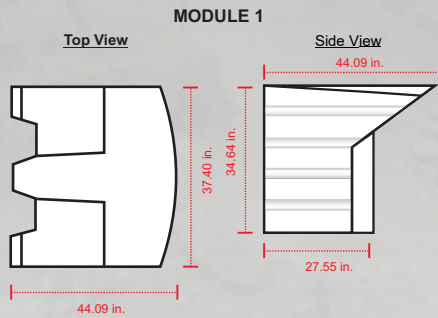
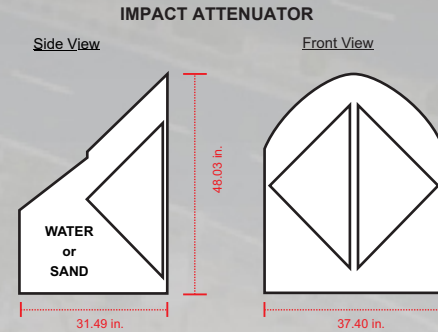
Ideal as an impact attenuator in streets, avenues, highways, merges and junctions.

FEATURES

- It recovers its original form in minor collisions. In bigger crashes, it absorbs the impact effects.
- Its function is covered with three damping structures:
 - 1 *impact attenuator* for streets not as crowded.
 - *Impact attenuator + module 1* for road sections with heavy traffic.
 - *Impact attenuator + module 1 + universal module* for greater impact coverage, they can be up to 6 modules depending on the road risk.
- Auto-fillable with rainwater thanks to its upper valve.
- It also has a lower valve that drains the device completely...
- A solid one-piece structure.
- Choose your color: yellow, blue or green.
- Weather resistant and UV protection.
- It's categorized as a suitable product according to regulation.
- **It complies with the standard NOM-008-SCT2-2013.**
- Two reflective arrows (Engineer Prismatic Grade) for a better visibility at night or in low-light areas.
- It has a flashing lamp powered by solar energy.
- On a sunny day, the battery can last up to 36 hours.
- Automatic: turns on after dark and it turns off with light thanks to its integrated photosensor.
- A complete battery charge extends its operation up to 36 hours.



Volumes, dimensions and other measures are nominal and may vary approximately 2 %.



| Measures | |
|---|--|
| * Impact attenuator measures: | Length: 31.49 in. Width: 37.40 in. Height: 48.03 in. |
| * Reflective (optional): | Engineer Prismatic Grade. |
| * Reflective color: | White. |
| * Weight of the impact attenuator (empty): | 66 lb. |
| * Module 1 (empty): | 79.2 lb. |
| * Universal module (empty): | 66 lb. |
| * Impact attenuator module volume capacity: | 121.69 US gal |
| * Module 1 volume capacity: | 89.94 US gal |
| * Universal module volume capacity: | 82.01 US gal |

ABSORPTION LEVELS (WITH PLAIN OF WATER CONTAINERS)

