

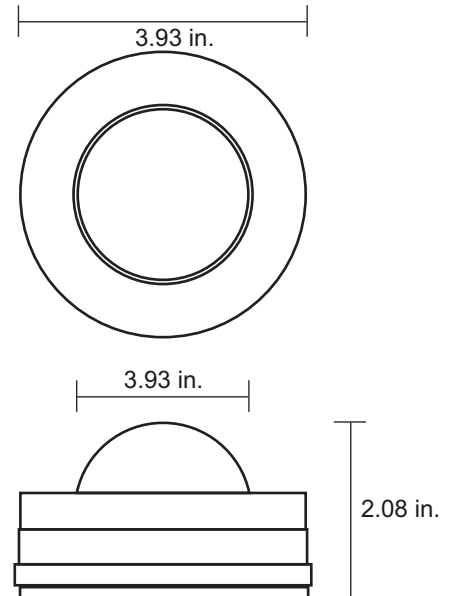
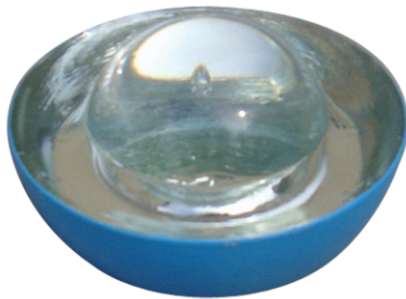
c bcpbmc | rdm mu rcn ,

FEATURES



- * Glass is strong but fragile, it doesn't scratch so easily, but it can be broken with a very big impact.
- * Is inodorous, incolorous and transparent.
- * Glass sphere reflects light almost better than any other object and visible from all angles.
- * A semi-buried buoy is a demanded item in highways around cities, for limit lanes and as a speed reducer.
- * Since it can be embedded in concrete, concrete barriers, or asphalt, it's easy to install.
- * Weather-resistant.
- * The road stud material is thermal tempered glass which means that in case of rupture, it breaks into small and inoffensive pieces making it 100% safe.

Images are merely illustrative.



Technical Specifications:

- * **Material:** Thermal tempered silicon glass.
- * **Glass:** silica sand composite.
- * **Measures:** Diameter 3.93 in. Height: 2.08 in.
- * **Color :** Natural.
- * **Structure:** ABS.

Volumes, dimensions, and other measures are nominal and may vary by approximately 2%.