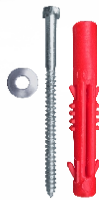


Leader don't follow steps  
... marks the way



- "Ultrafix" screw hexagonal head 21 v Ø 3/8" x 5.9 in.  
- "Extralarge" tacket Ø 0.7 x 5.31 in.



## WHAT IS A BRIO 1000 BOLLARD BALIZA?

The balizas are signaling posts, used for indicate a risk situation o for delimit specific areas.

## WHAT ARE BOLLARD BALIZAS FOR?

Its main function is avoid vehicles to enter a forbidden zones, mark areas, or create a protected bicycle lane or a pedestrian corridor, for close a parking lot and else, or -in the same way- to close a street if is nessesary.

## RECOMMENDED USES

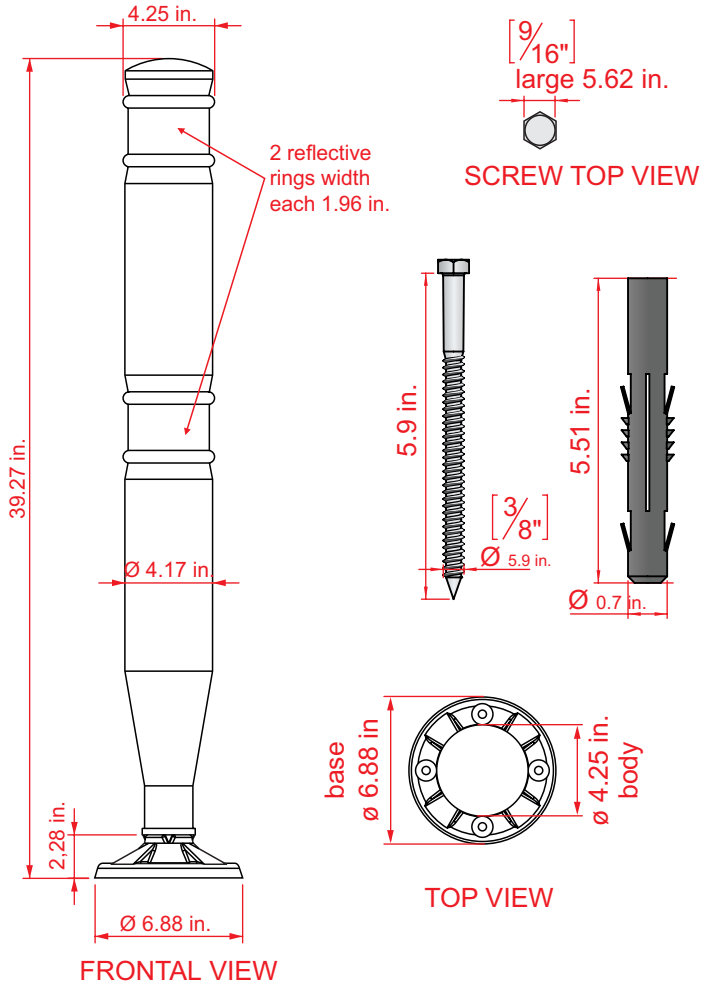
The suggested use is to place in blades, merges, highways, roads and elsewhere to prevent accidents or to mark a risky zone.

## FEATURES

- 100 % flexibles are resistant to vehicle impacts.
- It recovers the vertical position and its capable to resist until 5,000 run-ins.
- Resist impacts up to 5,5 (us ton).
- Created in one piece, no buttons, avoid any detachments.
- Manufactured in POLIFLEXY®; soft and flexible material that can't damage vehicles.
- The device is well anchor to floor with 4 screws.
- The baliza post is fixed on base with 4 button head screws.
- These line of traffic bollards has 2 colors: yellow and orange; More, on demand.
- 2 prismatic reflective rings, protected with the same body's earrings, guaranteed the durability of brilliant area.
- With a safe anchorage to floor trough 4 screws, 4 plane washers of 3/8", 4 "extralarge" tackets all just to keep the safety levels.



Measures are nominal and can vary, between +- 2%.

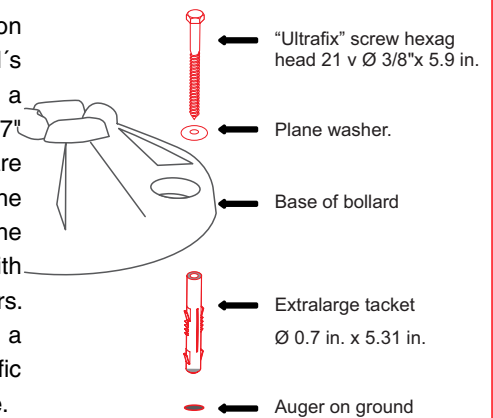


## Measure

<b>Total:</b>	Height:	41.33 in.
	Base diameter:	6.88 in.
	Top diameter:	3.96 in.
<b>Reflectives:</b>	2 rings:	26.35 sq in.
<b>Reflective Color:</b>	White or amber	
<b>Weight:</b>	41,27 oz.	

## Floor Anchorage

Mark the four holes on ground for the bollard's base. Then perforate with a  $\frac{3}{4}$ " drill bit down to a 7" depth. Once the holes are correct introduce the tackets and place the bollard put the screws with the  $\frac{3}{8}$ " plane washers. Time to wrist them with a  $\frac{9}{16}$ " cube and your traffic bollard its ready on its site.



**durability**  
**+ safety**  
**resistance**

**- price**