



- "Ultrafix" screw hexagonal head 21 v Ø 3/8" x 5.9 in.
- "Extralarge" tacket Ø 0.7 x 5.31 in.



Leader don't follow steps
... marks the way

WHAT IS A BRIO 105 BOLLARD BALIZA?

Reboundable post made out of plastic formula for use as a traffic signalizer for put limits, divide traffic and distribute the street room.

WHAT ARE BOLLARD BALIZAS FOR?

A device for signalise and warn vehicles from invade pedestrian and bicycles zones, for mark areas, or create a protected bicycle lane, for close a parking lot and else, or -in the same way- to close a street if is nessesary.

RECOMMENDED USES

This traffic device must be used in large rows (of various elements) to prevent cars from invade streetwalks or from get into dangerous zones or accidents.

Special attention on its lights for a better visibility during dark hours.

Features

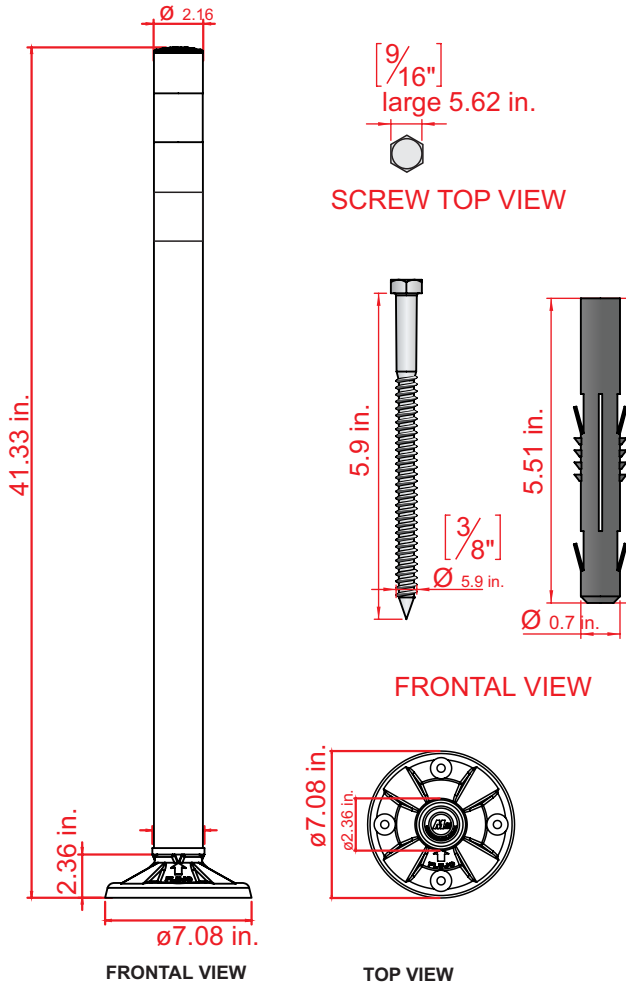
- Resistant to vehicle impacts.
- It recovers the vertical position and its capable to resist until 5,000 run-ins.
- Manufactured in high resistance plastic, totally harmless to persons and cars.
- It can stand any accidental collision with a vehicule until a maximum of 5 tons.
- These line of traffic bollards has 4 colors: yellow, white, green and blue, all with great visibility.
- In the same way has 2 bands of prismatic reflectives material to catch driver eyes during nights.
- Easy to install and easy to change of place.
- With a safe anchorage to floor trough 4 screws, 4 plane washers of 3/8", 4 "extralarge" tackets all just to keep the safety levels.

SIGNALISING WITH LIGHT CHOICE

- Solar power intelligent system.
- 5 ultrabright LED cluster
- 40,000 MCD, with low current 18,000 mA y 40,000 mW.
- Colors: Amber, red, green, blue and white.



Measures are nominal and can vary, between +- 2%.



Measure	
Total	Height: 41.33 in. Base diameter: 7.08 in. Top diameter: 2.36 in.
Reflectives:	Band around: 2.36 X 7.08 in.
Reflective Color:	White or amber
Weight:	36,68 oz

Floor Anchorage

Mark the four holes on ground for the bollard's base. Then perforate with a $\frac{3}{4}$ " drill bit down to a 7" depth. Once the holes are correct introduce the tackets and place the bollard put the screws with the $\frac{3}{8}$ " plane washers. Time to wrist them with a $\frac{9}{16}$ " cube and your traffic bollard its ready on its site.

- “Ultrafix” screw hexag head 21 v $\varnothing \frac{3}{8}$ " x 5.9 in.
- Plane washer.
- Base of bollard
- Extralarge tacket $\varnothing 0.7$ in. x 5.31 in.
- Auger on cement



+ safety & resistance

- price