

Leader don't follow steps  
... marks the way



- "Ultrafix" screw hexagonal head 21 v Ø 3/8" x 5.9 in.  
- "Extralarge" tacket Ø 0.7 x 5.31 in.

## FEATURES

- The first feature is a informative signalise.
- Resistant to vehicle impacts.
- Vuelve a su forma original, después de ser abatida, recuperando su posición vertical.
- The device is manufactured in high resistance plastic, totally harmless to persons and cars.
- The Pallet is composed in styrene, ideal for put your message on it.
- This color product line has variety with great visibility: yellow, white, green and blue.
- Easy to install and easy to change of place.
- With a safe anchorage to floor trough 4 screws, 4 plane washers of 3/8", 4 "extralarge" tackets all just to keep the best safety levels (not included).

## WHAT IS A BRIO 105 PALLET?

Reboundable Pallet made out of plastic formula for use as a traffic signalizer for put limits and distribute the street room.

## WHAT IS FOR A BRIO 105 PALLET?

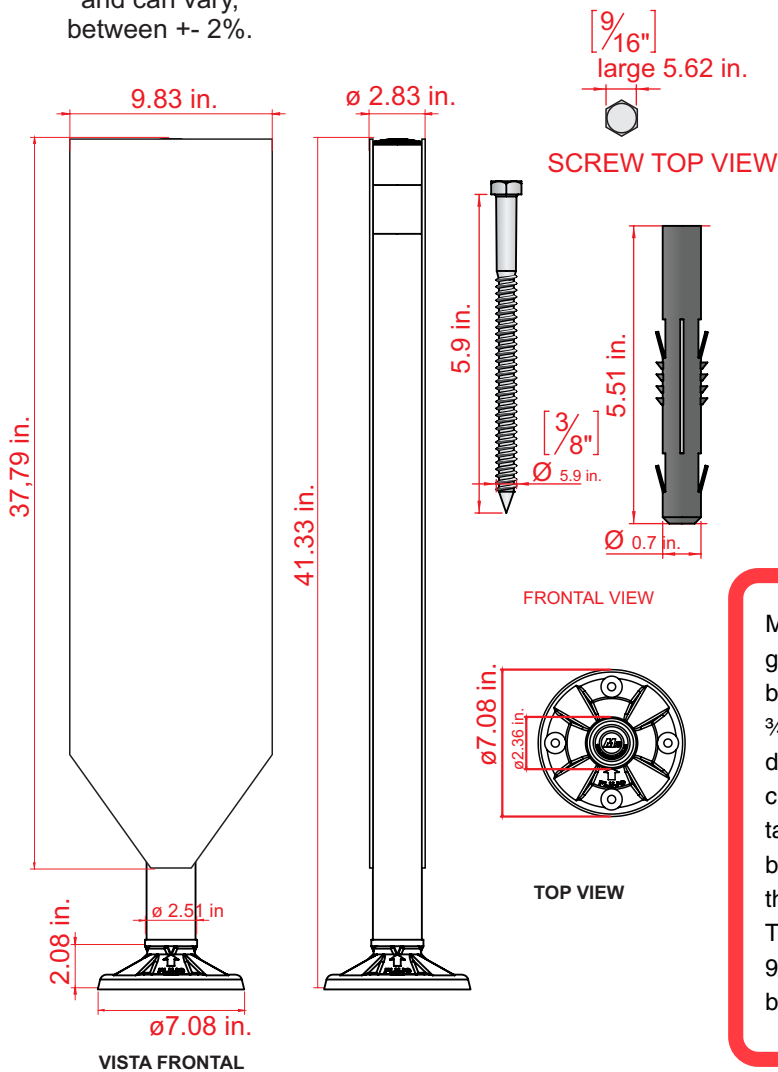
Inform, signalise and avoid vehicle drivers from invade forbidden areas like pedestrian and bicycles zones, for mark areas, or create a protected pedestrian walk zone or a bicycle lane,

## RECOMMENDED USES

Suggested to be used mainly in large rows (of various elements) to prevent cars from invade streetwalks or from get into dangerous zones.



Measures are nominal and can vary, between +/- 2%.



Measure	
<b>Total</b>	Height: 41,33 in. Pallet: 9,84 in. X 37,79 in.
<b>Reflectives:</b>	9,84 in. X 37,79 in.
<b>Reflective Color:</b>	White, amber, red, blue
<b>Weight:</b>	82,18 oz

### Floor Anchorage

Mark the four holes on ground for the bollard's base. Then perforate with a 3/4" drill bit down to a 7" depth. Once the holes are correct introduce the tackets and place the bollard put the screws with the 3/8" plane washers. Time to wrist them with a 9/16" cube and your traffic bollard its ready on its site.

- Ultrafix" screw hexag head 21 v Ø 3/8" x 5.9 in.
- Plane washer.
- Base of bollard
- Extralarge tacket Ø 0.7 in. x 5.31 in.
- Auger on ground



**+** safety  
**+** resistance  
**-** price