



BA-TO-2000M



BA-TO-2000L



BA-TO-2000P

- The **Toledo Bench** has integrated armrest on its lateral supports, with a design in esthetic curve lines is an attractive element for any urban furniture project.
- Lateral supports give it structure and resistance for a better service as a sitting bench in a park, garden or a school.
- Its main function is provide a good rest option to pedestrians in the day by day life, bettering the life quality and promoting a well use of any urban furniture.
- Also it works as a complementary ornament that bettered the urban heritage and its equipment, bettering in the same way, the town image.
- Manufactured with durable material, all weather resistant and also to the normal attrition for exteriors use.
- Benches are composed on two main lateral supports and a central one that sustain the backrest and the seat.
- Both seat and backrest, can be made of three different materials:
 - » Wooden board with maritime polyurethane finishing.
 - » Profile of plastic-wood.
 - » Steel dye cast cal. 12 and can carry your laser-cutted logo or any other message.

FEATURES

- In its two sizes, the **Toledo Bench** can receive between three to five people sitting comfortably.
- Our benches offering elegance and ease, supporting other human activities like reading, friendly cohabitation in a neighborhood, promoting good family relationship or the simple place for rest during a journey.
- The benches supports are made out in 100% recycled medium density polyethylene. The use of recycled materials helps environment and reduces the greenhouse effect gas emissions.
- Supports are enough strong to provide structure and stability to the bench.
- Materials used in a **Toledo Bench** guaranteed its all weather resistance.
- The device just need clean sporadically.
- Benches are anchored to floor with "ultrafix"screws cal. 3/8" x 5.9 in. and expansive polypropylene tackets "extralarge" cal. 3/4" x 5.51 in.

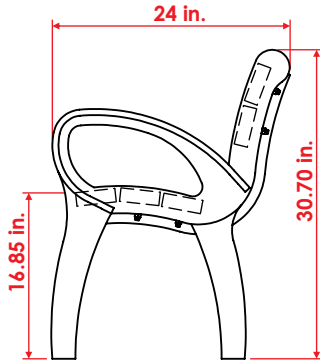
RECOMMENDED USE

For installing in parks, central squares, all kind of public places because this for-people infrastructure can generate good coexistence between citizens. Is not the only reason, benches are heavy needed elsewhere.

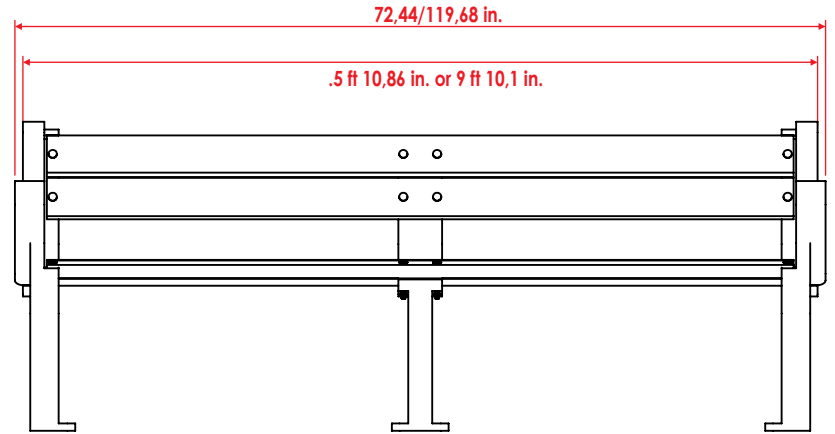


All measures are in inches.

Lateral View



Front View



Measures are nominal and can vary, between +/- 2%.

Measure

Length: 70.86 or 118.01 in.
Width: 24 in.
Height: 30.70 in.

