

Leader don't follow steps
... marks the way

WHAT IS THE BARRIER S-81?

Safety traffic barrier with a new couple system, versatile, because it can confine curves perfectly, and easy to handle thanks its lightweight.

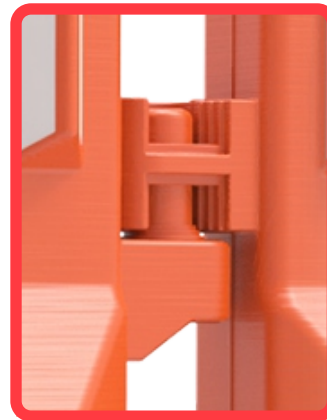
It's basic function is to cordoning forbidden zones, also useful as traffic security marks.

Recommended to assembly various elements in rows, or forming quadrilaterals, triangles, equilaterals and gondoles, contributing this way to make a more secure environment.

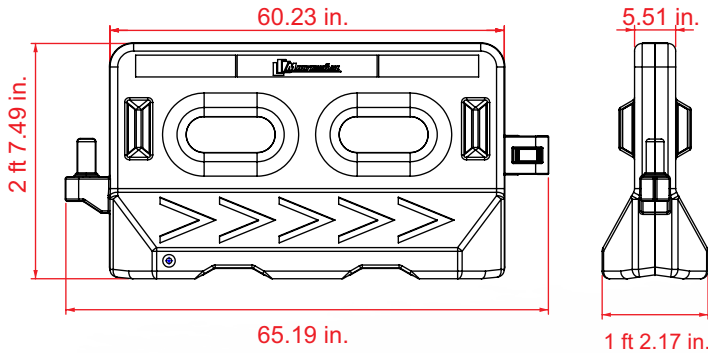
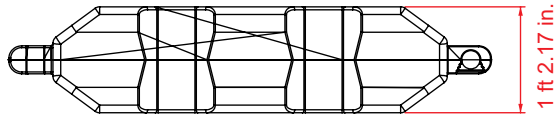


FEATURES

- Useful to signalise, delimit, closure and else bringing safety and covering more distance because has a better use of its total lenght.
- Guide the traffic flow to a specific point trough the coupling of various barriers.
- As part of it's reasoned geometry the shape has two archs on bottom to use as a waterflow pass or works for transport the barrier with forklift.
- Two central ovals to allow wind flow with no trail of the equipment.
- Made out in high weight molecular polyethylene.
- Strong resistance to weathering including UV rays protection and a very durable item.
- The line color is orange, more variety on demand.
- Lightweight, stable and firm.
- And for a better operation can be ballast with sand or water.
- With bond system male-female make easier installation, one person can do with no problems.
- The light-catchers with reflective film on laterals increase the visibility of the barrier on dark hours (optional).
- Also includes five lateral chevrons to communicate the traffic way, the reflective on these area optional.
- The assembly connection system is already registered in the IMPI (Intellectual Property Mexican Institute).



Measures are nominal and can vary, between +/- 2%.



Measure

Total	Operative length:	60.23 in.
	Length:	65.19 in.
	Height:	2 ft 7.49 in.
	Width:	1 ft 2.17 in.
Reflectives:	Arrows	
Reflective color:	White	

