



A leader doesn't follow steps
... he marks the way



WHAT'S A BARRICADE 66?

The Barricade 66 is a road safety device. It has a strong body that makes it visible from afar.

It's useful in cities and highways to delimit and signal work or renovation areas as well as constructions.

Canalizes road traffic. Also, it's ideal for delimiting zones or respecting them.

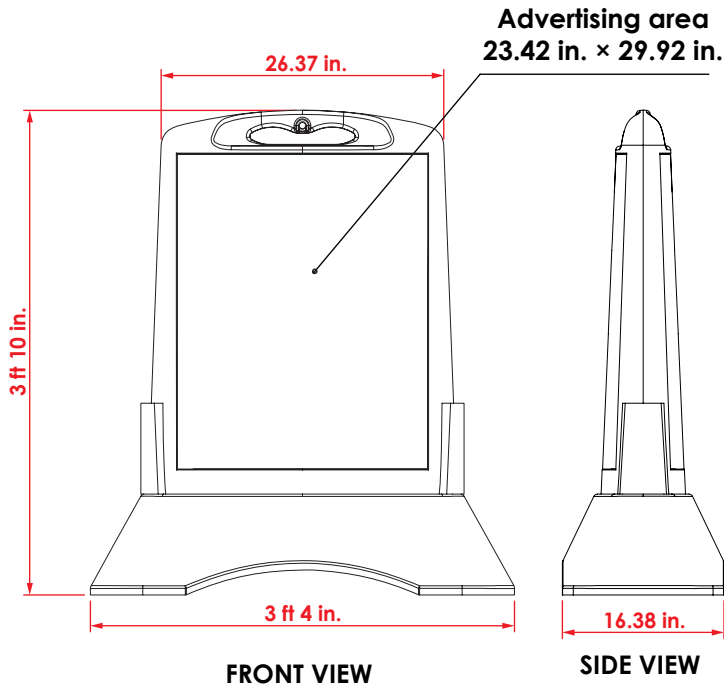
It can be used as an advertising device.

FEATURES

- The barricade has excellent stability and firmness in its daily performance when it's filled with water or sand.
 - It can be used in work zones, constructions, detours, or renovation areas to restrict access or to warn pedestrians and vehicles.
 - Color: orange of great visibility (other colors upon request).
 - Manufactured in medium-density polyethylene.
 - The barrier has the highest quality which guarantees long working life. Weather-resistant. UV protection.
- You can include a message or reflective stripes in the empty area of one or both of its sides. This helps increase visibility at night.
- Easy to clean. Liquid and solvent resistant.
 - The integrated counterweight base improves its stability and avoids falls by the wind force. It also has the option of adding ballast to increase weight.
 - A bottom bridge that allows water flow to avoid turnovers.
 - 100% stackable.



Volumes, dimensions, and other measures are nominal and may vary by approximately 2 %.



Measures

Total	Length: 3 ft 4 in. Height: 3 ft 10 in. Width: 15.74 in.
Advertising area:	23.42 in. × 29.92 in.
Reflective color:	White or digital printing
Weight (empty):	21.05 lb.

