

The triangular prism studs located on the sides and top are a Multiseñal registered technology: *IMPI MX/f/2019/002141*

A leader doesn't follow steps
... he marks the way



WHAT'S A BABY BARRIER BBS-100?

A safety traffic equipment that channelizes people and vehicles out of forbidden or work zones.

WHAT DOES A BABY BARRIER DO?

It delimits zones and redirects vehicle traffic to a secure zone avoiding potential dangers or traffic jams.

RECOMMENDED USE

They can delimit, mark and protect work zones, roads, highways, and streets.

Features

- It's a portable and lightweight product that can quickly solve the urgent need for channelize some place, zone or street.
- The modern structure design shows a product with valuable operational advantages.
- It includes a window in its center that allows airflow which diminishes the probability of overturning.
- It has eight hollow spaces on each side where you can put reflective which makes the road with greater visibility at night or in low light areas. These include three chevrons that indicate the direction of the traffic, one horizontal stripe on the entire top, and four reflective surfaces on the studs of the sides. They are located at the ideal angle which increases the driver's visibility.
- Manufactured in medium-density polyethylene.
- Made in one piece for a long working life.
- Color: Orange (other colors upon request).
- Extreme temperatures resisant and UV protection.
- Lightweight, easy to transport and install.
- It can be filled with water or sand to increase its weight, stability, and containment level.
- The modular design integrates a coupling system (male-female) for a strong link between barriers so you can create straight or curved routes.
- A bottom bridge that allows water flow and avoids the dragging of barriers.
- It includes a top lid for filling and a drain plug.



Studs on the sides

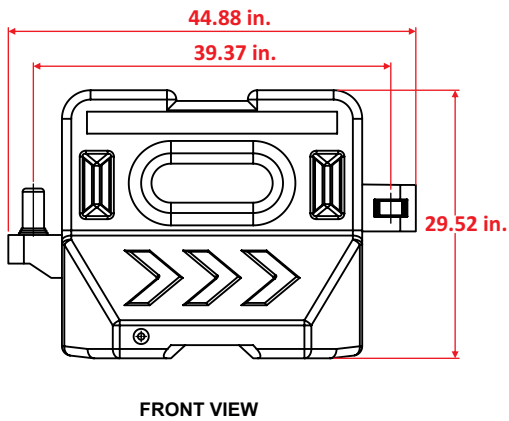
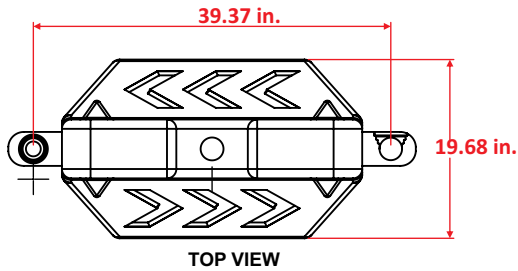


Bidirectional chevrons



Coupling system (male-female)

Volumes, dimensions, and other measures are nominal and may vary by approximately 2 %.



Measures

Total	Useful length: 39.37 in.
	Width: 19.68 in.
	Height: 29.52 in.
	Total length: 44.88 in.
Reflectives:	8 zones per side.
Reflective color:	White



The images are merely representations of the models.