



A leader doesn't follow steps  
... he marks the way

## WHAT'S A GALAXY BARRIER?

A one-of-a-kind safety barrier. It's versatile due to its perfect confinement by either forming lines or curves. Easy to handle thanks to its exclusive coupling.

The main function of these barriers is to avoid vehicles entering forbidden zones, they are road safety delimiters.

It can be used in rows or curves and contribute to a safer environment.

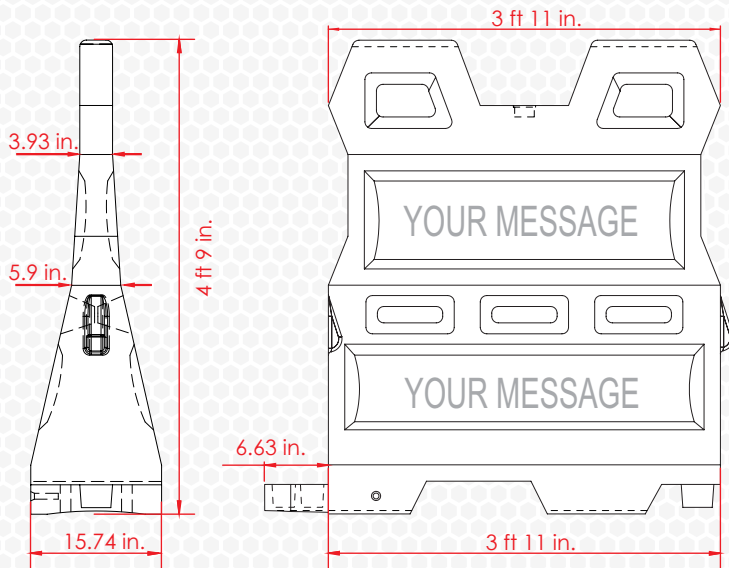
Galaxy barriers are also used as a group, the Galaxy Barrier Train (Code: CONV-GALAXY).

## FEATURES

- The design of its body offers better performance, structural endurance, and long working life.
- Canalizes the pedestrian or road traffic. Also, it's ideal for delimiting zones or respecting them.
- The number and location of barriers will depend on the type of road and construction that is underway.
- They have great stability and firmness on their daily performance.
- Made out in medium-density polyethylene, in one piece. In case of impact, the corners and edges are rounded to avoid injuries.
- The body has a shark fin that guarantees the stability and the merger of the barriers.
- The exclusive coupling design allows a turning radius of 30° between barriers and creates circles of 5 yd or more according to your needs.
- A continuous barrier, its coupling system male-female is quite simple and can be assembled by one person.
- Allows joining the barriers in straight or curved lines with a professional and clean look.
- It includes a top lid for filling and a drain plug.
- Extreme weather-resistant and UV protection.
- It can be filled with water or sand to increase its stability.
- It complies with official standards and requirements.



Volumes, dimensions, and other measures are nominal and may vary by approximately 2 %.



Measures	
<b>Total</b>	Length: 4 ft Height: 4ft 9 in. Width: 15.74 in.
<b>Reflective:</b>	2 areas for 2 messages per side
<b>Reflective color:</b>	White or digital printing (optional)

