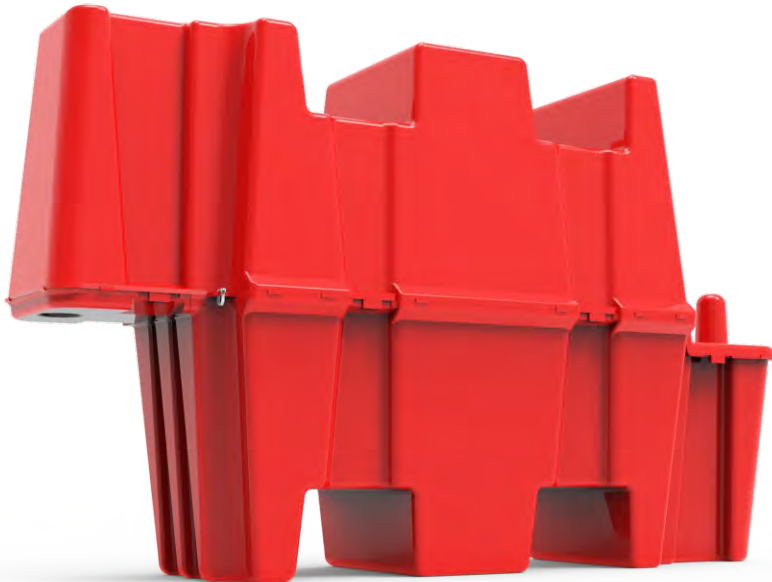


A leader doesn't follow steps  
... he marks the way



## WHAT'S A ROADWEILER BARRIER?

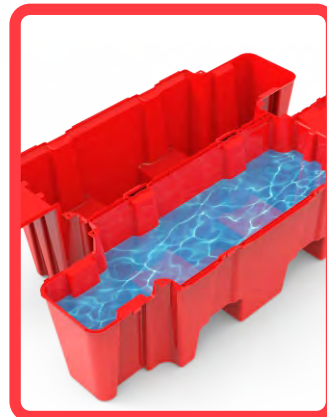
A modern and versatile safety barrier. It can perfectly confine traffic in linear, curve, or quadrilateral ways. Easy to handle thanks to its coupling system.

The main function of these barriers is to avoid vehicles entering forbidden zones or constructions, they are road safety delimiters.

Mainly suggested in street closures, toll booths, etc.

## Features

- The exclusive coupling design allows a turning radius of 90° between barriers and creates quadrilaterals according to your needs.
- The number and location of barriers will depend on the type of road and construction that is underway.
- In case of impact, the corners and edges are rounded to avoid injuries.
- A continuous barrier, its coupling system male-female is quite simple and can be assembled by one person. Easy and safe to install on any terrain.
- It's a 100% stackable which saves on transport costs and increases the storage capacity.
- It includes six pressurized frontal safety catches and four bolts, one per corner which is secured with a cable tie.
- It has the option of adding a water or sand ballast on the lower part which will make the barrier stabler.
- Space on top for a lamp.
- Bottom drain plug of 3.23 in.
- A bottom bridge that allows its operation with a forklift and water flow in case of rain.
- Manufactured through an injection molding process with high-density polyethylene which gives greater resistance to impacts and avoids deformations.
- Weather-resistant and UV protection.
- **The barrier has the option of turning into a train with 5 barriers and a steel structure.**



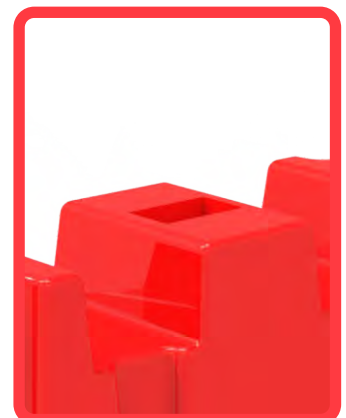
Water ballast



Sand ballast

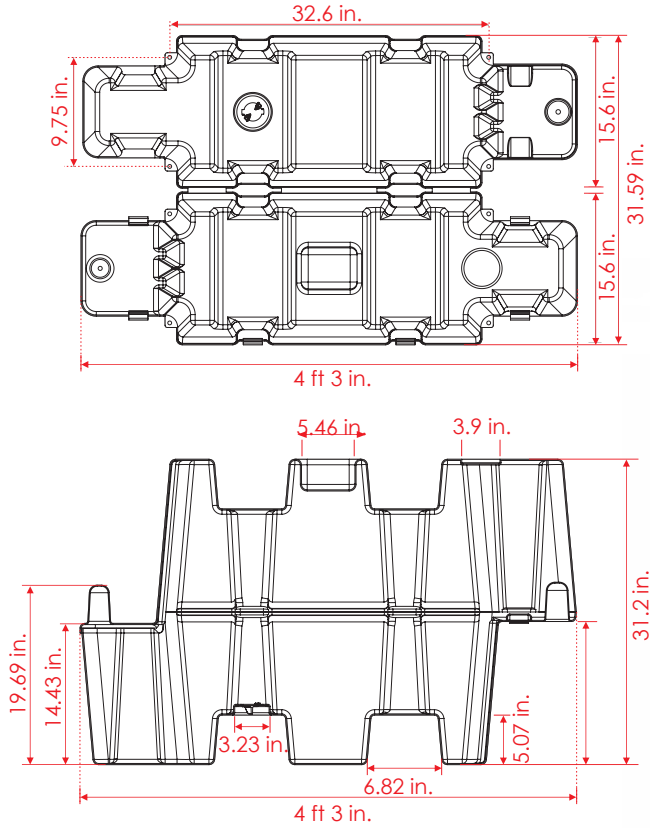


Use of forklifts



Space for a lamp

Volumes, dimensions, and other measures are nominal and may vary by approximately 2 %.



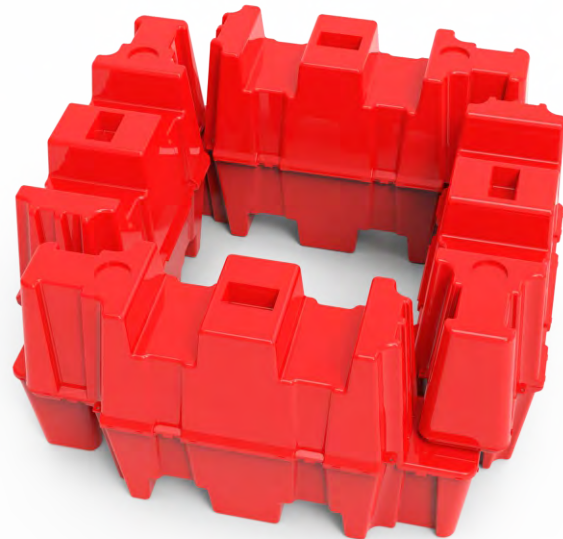
## Measures

**Total**

Length: 4 ft 3 in.  
Width: 15.6 in.  
Height: 31.2 in.

**Ballast:**

Water or sand







## Features

- Traffic containment train.
- The wagon has space for five barriers.
- The structure is made of a 3x3" steel angle bar with six wheels, including a brake pedal, of Ø 8" which allows the moving of the barriers.
- Length of 21 ft 4 in.

