

A leader doesn't follow steps, **he marks the way.**

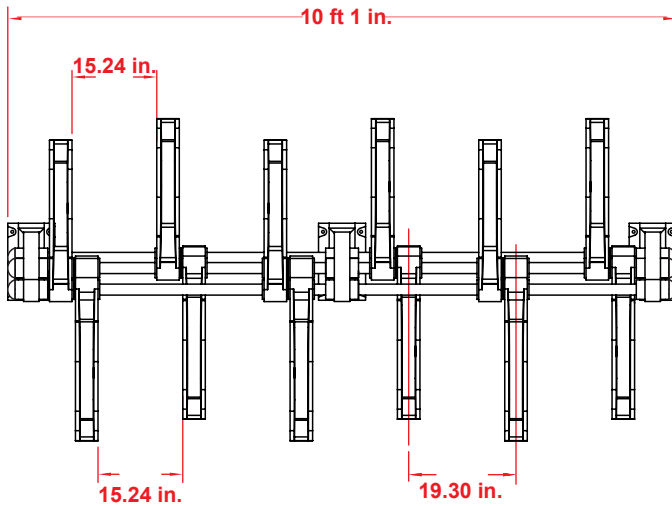


## Features

- This street furniture is perfect to park bikes.
- Available for storing two bikes in a row or up to 12 bikes on the same structure.
- The modules can be installed just to the front or front and back.
- You can use any kind of bike lock on the bike rack to ensure the safety of your bicycle.
- The manufacturing material of the modular bike rack is medium-density polyethylene with steel tubes with polyethylene rivets to avoid injuries and guarantee maximum resistance.
- Colors: Yellow, blue, green, and red.
- Weather-resistance.
- UV protection.
- Mainly suggested in parks, median strips, residential units, bus stations, company buildings, etc.
- It's installed embedded in the floor.
- **Installation recommendations:**  
Each leg needs four 3/8" × 5.85 in. "Ultrafix" hex-head screws and four 0.74 in. × 5.46 in. "Extralarge" anchors (not included).



Volumes, dimensions, and other measures are nominal and may vary by approximately 2 %.

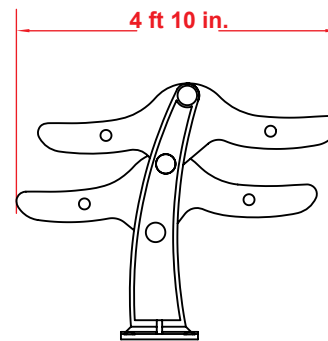
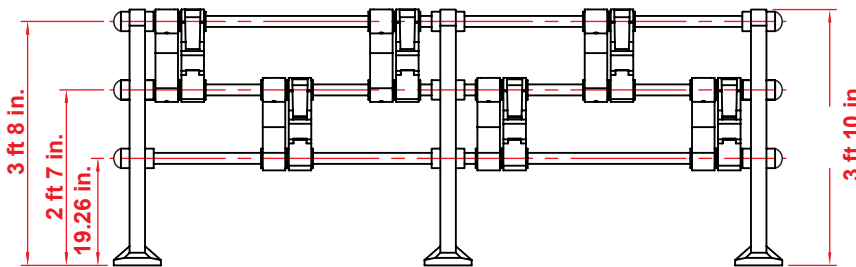


**Measures**

**Length:** Depending on the number of modules.

**Width:** 4 ft 10 in.

**Height:** 3 ft 10 in.



## Installation



Mark the four boreholes on every leg with a drill and a 3/4" concrete drill bit.

Insert the anchors on the boreholes (add epoxy glue if you want better fastening). Place the bike rack legs.

Put the screws and the 3/8" flat washers.

Perfectly tighten them with a 9/16" socket wrench.

The installation is ready.

- 21v Ø 3/8" × 5.85 in. Ultrafix hex-head screw.
- Flat washer.
- Bike rack leg.
- Ø 0.70 in. × 5.26 in. Extralarge anchor.
- Borehole.

Two modules



Four modules 2x2



Four modules



Eight modules 4x4



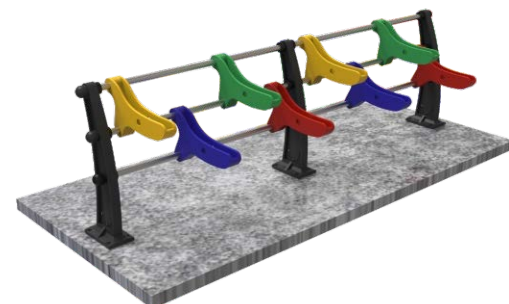
Six modules



Twelve modules 6x6



Eight modules



Ten modules

