

Leader don't follow steps  
... marks the way



FIXED  
BOLLARD

REBOUNDABLE  
BOLLARD

## WHAT BOLLARDS ARE?

Its a low-height post made out in stainless steel Cal. 14 finished and painted by electrostatic means with black, red, orange and green colors and a lighten cap.

Its a prevention and warning device used mainly in rows or strategically distributed for avoid vehicles pass to forbidden areas like sidewalks or to protected bicycle lanes, marking the division between people and motor-vehicles in an elegant manner.

Adding to this important functions, its intelligent design with bright colors are attractive for citizens.

Bollards are ideal piece of traffic signalise also, recommended in two ways deviations, for mark a luxury bicycle protected lane or maybe giving it your new creative purpose (check out all bollards and posts list, specially other solar-luminous versions).

## FEATURES

- The Athenea Stainless Steel Bollard has two versions, fixed and reboundable.
- **Fixed:** Has a robust carbon-steel base screwed to floor ,so its immovable.
- **Reboundable:** The ABS base has an internal mechanism to receive shocks and fold, but recovering its vertical immediatly.
- Has a luminous translucent polylyethylene headstock guarded inside a carbon-steel helmet that charges solar power during day and lights automatically in dark hours; adding its two silvered rings to ehanced its elegancy.
- All weathering resistant (specially including UV ray and moist).

### LUMINOUS SYSTEM:

- Solar cell 0.33 in.
- Lithium Polymer Battery.
- 12 Ultra brilliant led´s (colors: amber, white, or red ).
- Fixed or flashed light.



Reboundable Base System

Measures are nominal and can vary, between +/- 2%. All dimensions in inches.

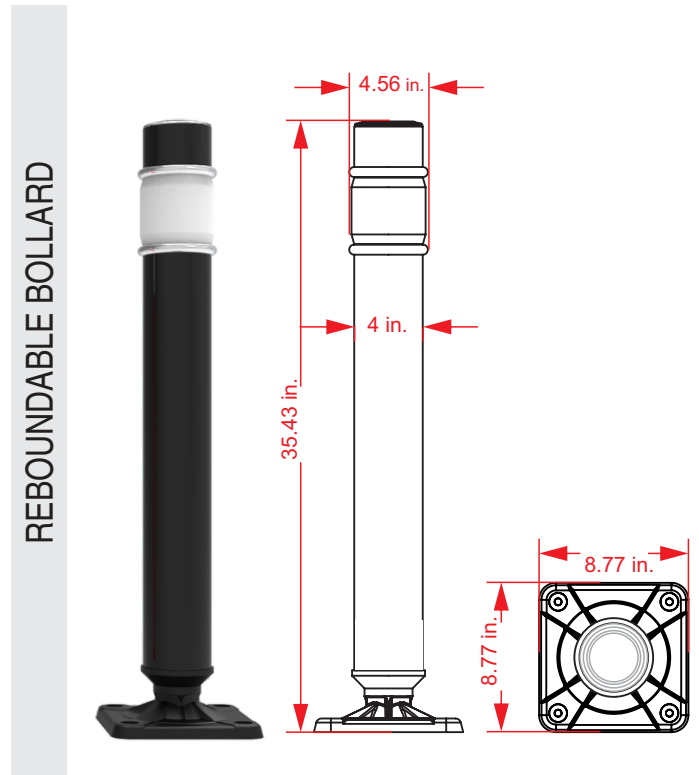
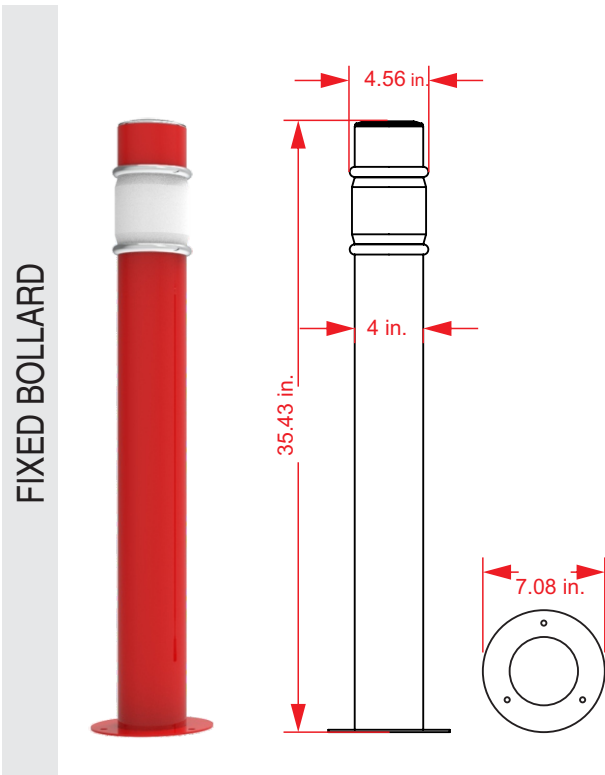
## Measure

### Fixed

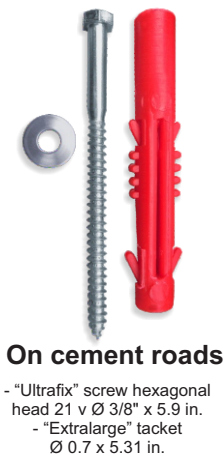
**Body Diameter:** 4.00"  
**Base:** 7.08 in.  
**Total Height:** 35.43 in.

### Reboundable

**Body Diameter:** 4.00"  
**Base:** 8.77 x 8.77 in.  
**Total Height:** 35.43 in.



## Recommended anchorage:



Mark the three holes on ground for place post's base. Then perforate with a 3/4" drill bit down to a 7" depth. Once the holes are correct introduce the tackets and place the **Athenea Stainless Steel bollard**, settle screws with the 3/8" plane washers. Wrist them with a 9/16" nut socket and your traffic post its ready on site.

