



Leader don't follow steps
... marks the way



WHAT IS A BICYCLE BOLLARD ?

The main function of this post is to keep one bicycle guarding in its bay.

Also bollards are limiters to restricte access for vehicles to pedestrians areas.

The bollard is part of the urban furniture, but in this case has two functions.

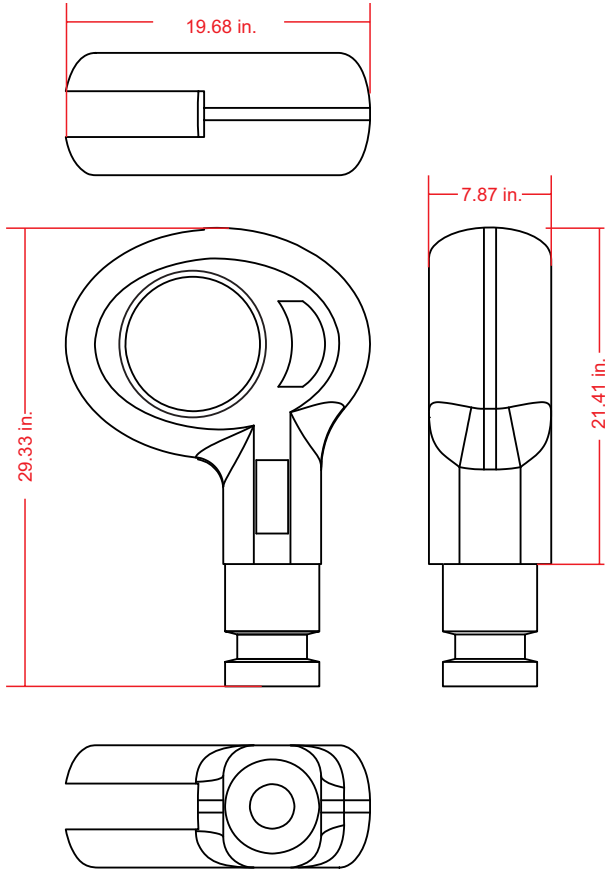
For installing in bicycle protected lanes and places like parks or turistic zones.

Features

- Is an effective device as urban furniture and is becoming more popular each day.
- Is an effective way to guard bicycles and channelize traffic or mark a restricted areas.
With a big hole in his body works as bicycles slot the hole also can afford a chain.
- Manufactured in medium density polyethylene with UV protection.
- Design for a long durability with a metallic soul inside the plastic body.
- The bollard has an anchorage to floor with a half part drowned below the floor level and is easy to installl.
Also has reflectives all around is body.



Measures (inches) and are nominal can vary, between +- 2%



Measure

Total

Length: 19.68 in.
Width: 7.87 in.
Total height: 29.33 in.
Height: 21.41 in.

**Reflectives:
Color:**

High intensity
Amber

Color

Gray granite

Weight (empty) aprox.:

135.8 oz

With a perforating punch do a hole of \varnothing 6" and 8½" depth in ground. Place the bollard in vertical position and down the hole with fresh cement as illustration shows.

