

Leader don't follow steps  
... marks the way

PN-01



PN-02



PN-03



## WHAT BOLLARDS ARE?

Bollards are urban adorns with a strong resistance to multiple run-ins, are color posts and with reflective rings enhance its visibility.

It's main function is to avoid passage of motorized vehicles to restricted areas: on-road works, pedestrian zones, bicycle protected lanes and else. Apart of its esthetic function are traffic safety regulators and channelizers.

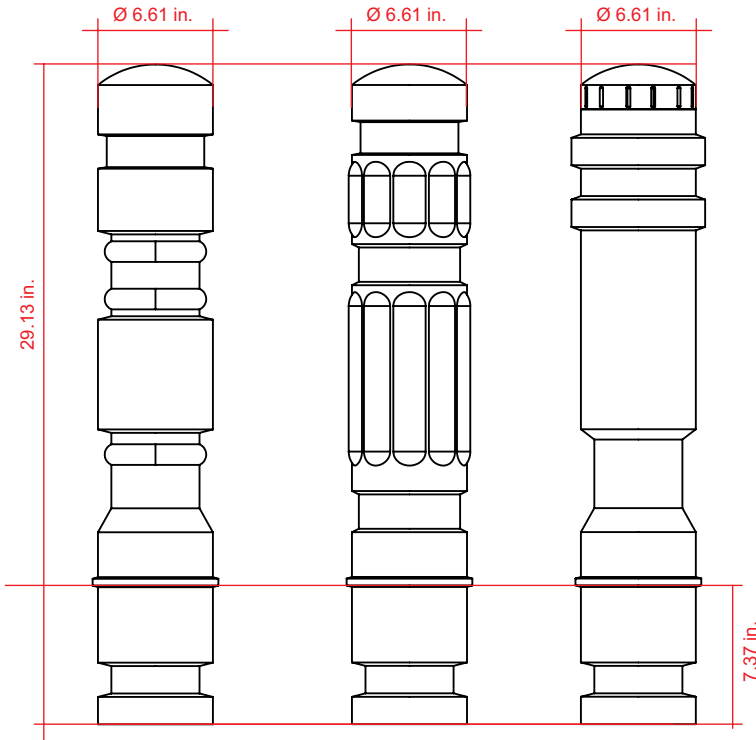
Is recommended to use them in rows of various elements for deter vehicle drivers to trespass the line, avoiding parking on restricted areas or sidewalks.

## FEATURES

- Modern and robust bollard.
- 3 different design versions.
- Help to create a safe and high standard environment.
- Made out in polyethylene.
- Has a tube steel soul inside, so its heavy impact resistant.
- With a retractable position system recover its vertical aftershock (optional).
- Free of maintenance and easy handle.
- UV ray resistant.
- Great durability.
- With reflective strip for a better performance and visibility.
- Installation method: drowned on floor.
- Line color, black and gray.



Measures are nominal and can vary,  
between +/- 2%.  
All dimensions in inches and onces & lb.



## Measure

**Total** Height: 29.13 in.  
Width: Ø 6.61 in.

**Colors:**  
**PN-01:** Black and gray  
**PN-02:** Gray, Black or White  
**PN-03:** Gray and black  
**Reflective:** Various types  
**Reflective color:** Amber or white.

First mark the auger ubication, then perforate a hole 10 inches diameter and 9 inches depth with a perforating punch. Clear of dirt the hole as possible and pour the cement mix (previously prepared). Insert just the bollard base, check the level (no more, no less) and fill the rest of the hole to get a good cimentation.

