

Leader don't follow steps
... marks the way



WHAT BOLLARDS ARE?

The high resistant and protective new bollards generation are aligner markers with advanced technology with no comparison on market. Its electronic operation was developed to satisfy any demand.

The objective is maintain clear areas for optimal safer and protective conditions and to avoid or select motorized vehicles passage on restricted areas, like pedestrian zones and sidewalks.

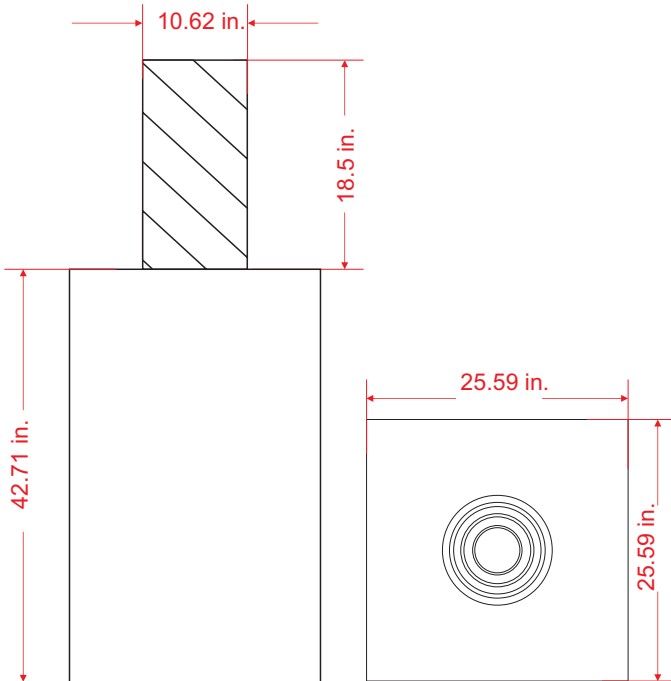
Remote controlling bollards can used as a an excellent protection mean, increasing security specially in case of car robbery.

FEATURES

- New bollards combine in an excellent way "design and safety".
- Heavy impact resistant..
- Extreme temperatures tolerance.
- Essential device to limit pedestrian zones, sidewalks, housing urbanizations and else.
- Builded and constructed in 100% steel, cal.12 dye sheet, 1 1/2 "structural angle profile and 1/2 in. plaque.
- With anti-corrosive paint black color.
- Activated by remote control with a 10 and 15 meter range control.
- Highly security and precise mechanism with a 1/4 h.p. electric motor and a control box.
- Two counterweights and another 2 hand controls.
- Wired to a 110 Volts current from your net utility provider.
- A maximum limit of 10 elevations by hour.
- Minimum maintenance.



Measures are nominal and can vary,
between +- 2%.
All dimensions in inches and ounces & lb.



Measure

Functional bollard:	Height: 18.5 in. Diameter: 10.62 in.
Bollard Box:	25.59 in. by side Height: 42.71 in.
Reflective (optional):	Yellow

First made the concrete underground cube where the bollard keeping box fits well and can be manipulate. At its center, let enough room about 13.77X13.77 in. and 23.62 in. depth.

Later we have to fill it with volcanic gravel (carcamo), this prevent the case of a water filtration. Second, introduce the bollard well horizontal leveled. Your bollard is ready!

