

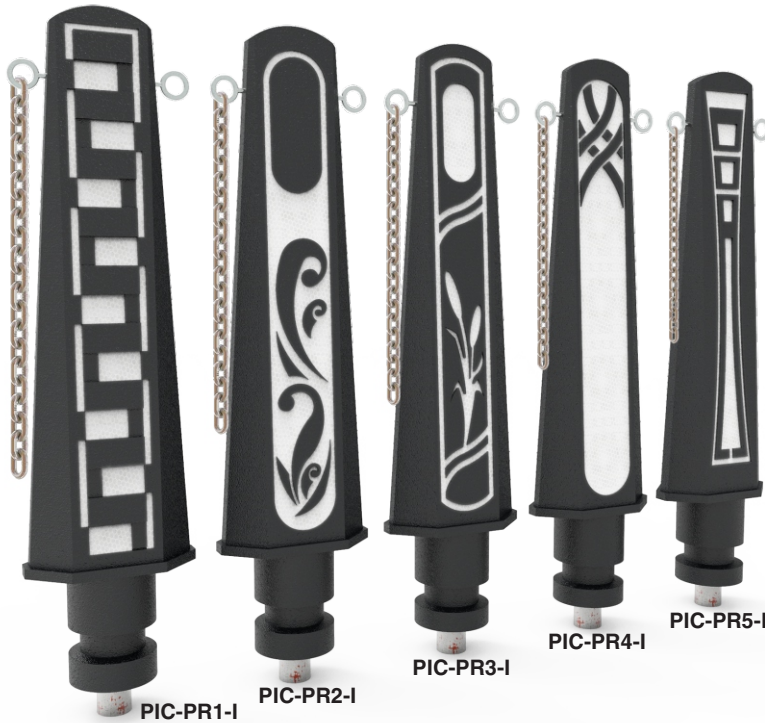
Leader don't follow steps
... marks the way

WHAT ARE BOLLARDS?

Excellent traffic equipment that has a double use: as ornament and as protective item for all citizens. It carry reflective for a bettered visibility.

Its main function is to divide the traffic flow and the pedestrian or bicycle zones, so is a safety delimitator.

Suggested use in rows circling the forbidden area, public places as well as in private areas.



FEATURES

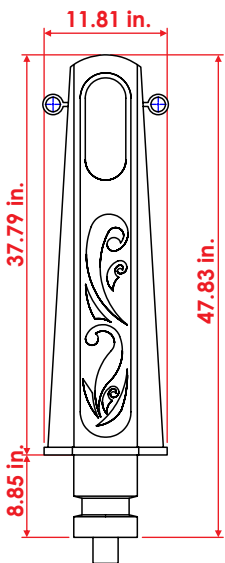
- Urban furniture with a double objective: to adorn and as a safety element.
- Help to create a safe and high standard environment.
- Made of medium density polyethylene.
- With reinforced steel skeleton of tubular steel for a better shock resistance.
- 5 different models with metal earrings options for carry a chain to block people pass.
- No maintenance needed. Easy handle.
- U.V. ray resistant, no decoloration.
- Great durability.
- Wide reflecting zone for a better night visibility.



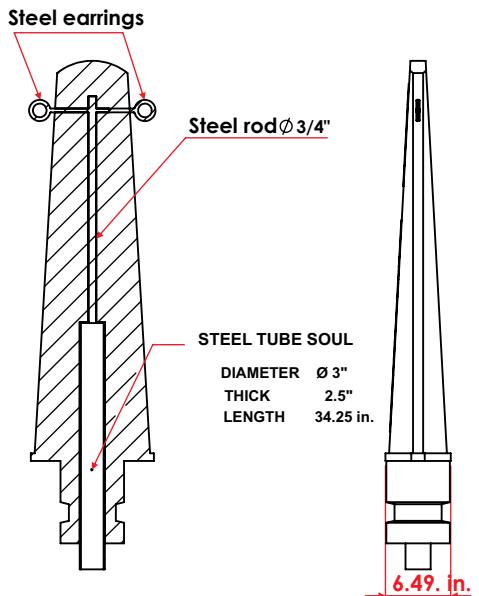
Measures are nominal and can vary, between +- 2%.
All dimensions in inches and onces & lb.



TOP VIEW



FRONT VIEW



LATERAL VIEW

Measure

Total	Length: 11.81 in.
	Width: 6.49 in.
	Functional height: 38.97 in.
	Total height: 47.83 in.
Reflectives color:	White or amber.

Anchorage

First mark the auger ubication, then perforate a hole 10 inches diameter and 9 inches depth with a perforating punch. Clear of dirt the hole as possible and pour the cement mix (previously prepared). Insert just the bollard base, check the level (no more, no less) and fill the rest of the hole to get a good cimentation.

