

A leader doesn't follow steps  
... he marks the way



**FIXED  
BOLLARD**

**REBOUNDABLE  
BOLLARD**

## WHAT'S AN ATHENA BOLLARD?

The low-rise post made of 11-gauge stainless steel is a prevention and warning device.

It's part of the street furniture and it's mainly used by forming rows to avoid vehicles entering sidewalks.

The main function is to preserve the free and safe mobility of pedestrians. They are strategically placed on the sidewalks avoiding drivers of vehicles, motorcycles, and even trucks running through public spaces that belong to pedestrians.

It's mostly recommended to place it at entrances of government buildings, shopping malls, hospitals, condominiums, hotels, airports, etc.

## Features

- A high-quality bollard of symmetrical and striking design that draws the attention of its users.
- It has an illuminated translucent polyethylene lid shield with a steel crown. This lid charges during the day and automatically lights up at night. Besides, it has 2 silver stripes that accentuate its elegance.
- A stainless-steel post of natural color with humidity and extreme weather resistance.
- The **Stainless-Steel Athena Bollard** has two versions: fixed or reboundable.
- **Fixed:** A stainless steel base that makes it immobile.
- **Reboundable:** Its ABS base and the internal system allows it to bend when hit. In this way, it immediately recovers its vertical position.

### SOLAR LIGHTING SYSTEM

- Solar panel of 3.31 in.
- Lithium-ion polymer battery.
- 12 ultra-bright LEDs (amber, white or red).
- Flashing or permanent light.

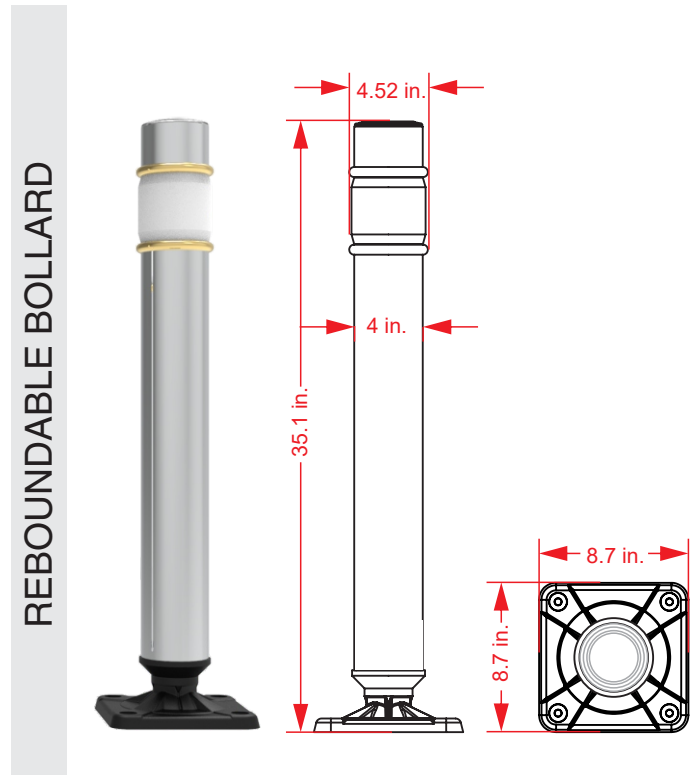
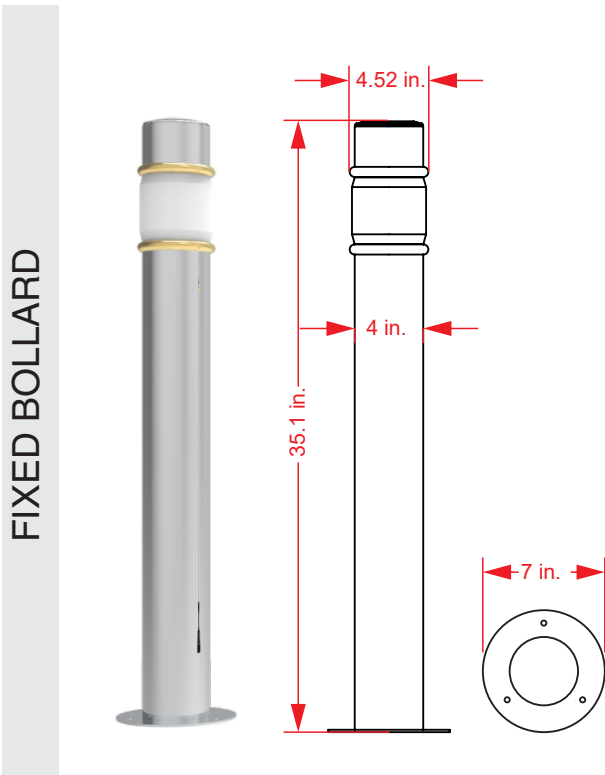


**REBOUNDABLE SYSTEM**

Volumes, dimensions, and other measures are nominal and may vary by approximately 2 %.

## Measures






Fixed		Reboundable	
Body diameter:	4 in.	Body diameter:	4 in.
Base diameter:	7 in.	Base diameter:	8.7 in. x 8.7 in.
Total height:	35.1 in.	Total height:	35.1 in.



## Anchorage system



**Anchorage**  
 - Ultrafix hex-head screw  
 Ø 3.8" x 5.85 in.  
 Extralarge dubel  
 Ø 0.7 in. x 5.46 in.

- 1.- Mark the boreholes using a bollard as a template.  **Ultrafix hex-head screw**  
Ø 3.8" x 5.85 in.
- 2.- Bore into the holes with a drill and a 3/4" concrete drill bit at a depth of 7".  **3/8" flat washer.**
- 3.- Put the **Stainless Steel Athena Bollard** and insert the **Extralarge**  **dubels** on each hole. **Boreholes on the base.**
- 4.- Place the screws and the 3/8" flat washers.  **Extralarge dubel**  
Ø 0.7 in. x 5.46 in.
- 5.- Hammer away with the help of a 9/16" socket wrench.  **Borehole on concrete.**