

A leader doesn't follow steps  
... he marks the way



**FIXED  
BOLLARD**

**REBOUNDABLE  
BOLLARD**

## WHAT'S A KIRA BOLLARD?

The low-rise post made of 11-gauge stainless steel is a prevention and warning device.

It's part of the street furniture and it's mainly used by forming rows to avoid vehicles entering sidewalks.

The main function is to preserve the free and safe mobility of pedestrians. They are strategically placed on the sidewalks avoiding drivers of vehicles or motorcycles running through public spaces that belong to pedestrians.

It's mostly recommended to place it at entrances of government buildings, shopping malls, hospitals, condominiums, hotels, airports, etc.

## Features

- A high-quality bollard of symmetrical and striking design that draws the attention of its users.
- It's complemented by a solar light of acrylic and polyethylene. This lamp charges during the day and lights up at night.
- A stainless steel post of natural color with humidity and extreme weather resistance.
- The **Stainless Steel Kira Bollard** has two versions: fixed or reboundable.
- **Fixed:** A stainless steel base that makes it immobile.
- **Reboundable:** Its ABS base and the internal system allows it to bend when hit. In this way, it immediately recovers its vertical position.

### SOLAR LIGHTING SYSTEM

- Solar panel of 3.31 in.
- Lithium-ion polymer battery.
- 12 ultra-bright LEDs (amber, white or red).
- Flashing or permanent light.



**REBOUNDABLE SYSTEM**

Volumes, dimensions, and other measures are nominal and may vary by approximately 2 %.

## Measures

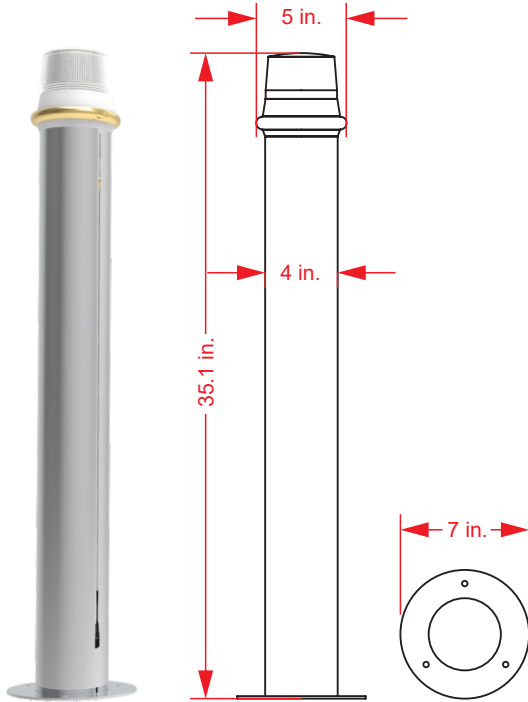
### Fixed

**Body diameter:** 4 in.  
**Base diameter:** 7 in.  
**Total height:** 35.1 in.

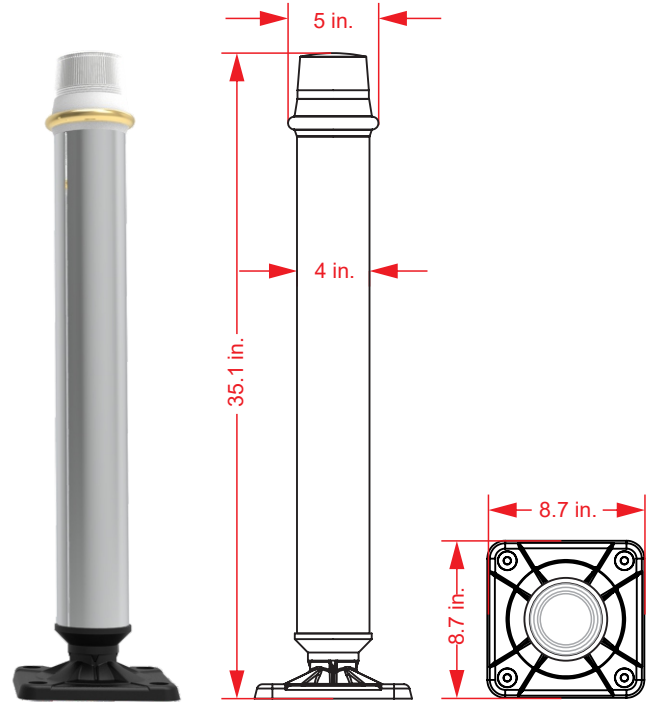
### Reboundable

**Body diameter:** 4 in.  
**Base:** 22.3 × 22.3 cm  
**Total height:** 35.1 in.

FIXED BOLLARD



REBOUNDABLE BOLLARD



## Anchorage system



### Anchorage

- Ultrafix hex-head screw  
 $\varnothing$  3.8" × 5.85 in.
- Extralarge dubel  
 $\varnothing$  0.7 in. × 5.46 in.

- 1.- Mark the boreholes using a bollard as a template.
- 2.- Bore into the holes with a drill and a 3/4" concrete drill bit at a depth of 7".
- 3.- Put the **Stainless Steel Kira Bollard** and insert the *Extralarge* dubels on each hole.
- 4.- Place the screws and the 3/8" flat washers.
- 5.- Hammer away with the help of a 9/16" socket wrench.

