

A leader doesn't follow steps
... he marks the way



WHAT'S A TUSCANY BOLLARD?

The low-rise post made of 11-gauge stainless steel is a prevention and warning device.

It's perfect for separating the sidewalks from the roads by ensuring pedestrian safety.

They are strategically placed on the sidewalks avoiding the driver of vehicles or motorcycles running through public spaces that belong to pedestrians.

Easy to install wherever you want, practically on any flat surface.

Features

- It's mostly recommended to place it at entrances of government buildings, shopping malls, hospitals, condominiums, hotels, airports, etc.
- A stainless steel post of natural color with humidity and extreme weather resistance.
- The **Stainless Steel Tuscany Bollard** has two versions: fixed or reboundable.
- **Fixed:** A stainless steel base that makes it immobile.
- **Reboundable:** Its ABS base and the internal system allows it to bend when hit. In this way, it immediately recovers its vertical position.



Volumes, dimensions, and other measures are nominal and may vary by approximately 2 %.

Measures

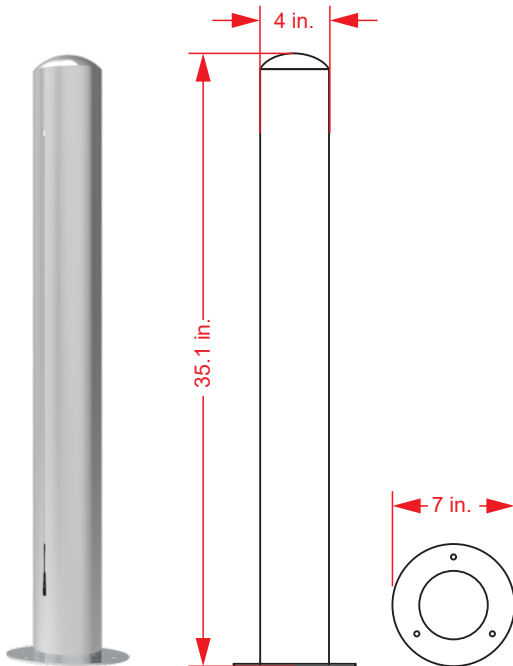
Fixed

Body diameter: 4 in.
Base diameter: 7 in.
Total height: 35.1 in.

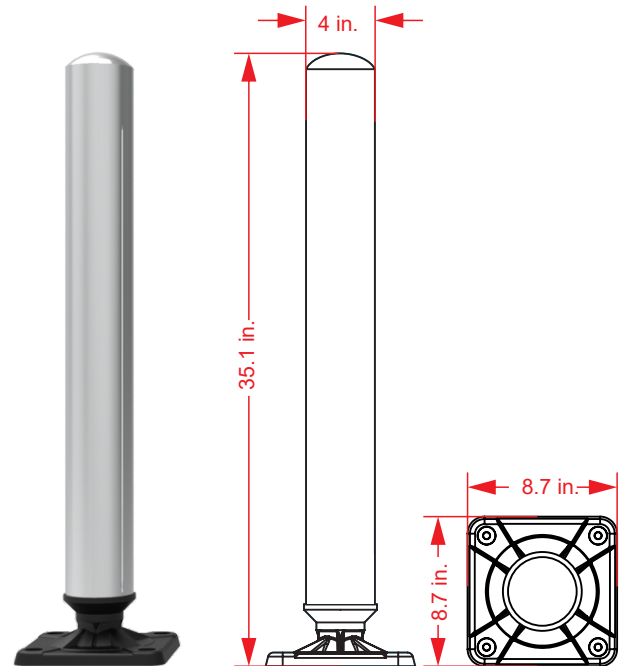
Reboundable

Body diameter: 4 in.
Base: 8.7 in. x 8.7 in.
Total height: 35.1 in.

FIXED BOLLARD



REBOUNDABLE BOLLARD



Anchorage

- Ultrafix hex-head screw \varnothing 3.8" x 5.85 in.
 - Extralarge dubel \varnothing 0.7 in. x 5.46 in.

Anchorage system

- 1.- Mark the boreholes using a bollard as a template.
- 2.- Bore into the holes with a drill and a $\frac{3}{4}$ " concrete drill bit at a depth of 7".
- 3.- Put the **Stainless Steel Tuscany Bollard** and insert the *Extralarge* dubels on each hole.
- 4.- Place the screws and the $\frac{3}{8}$ " flat washers.
- 5.- Hammer away with the help of a $\frac{9}{16}$ " socket wrench.

