

# Luminous Roman Bollard

Code: PIC-LUS-RO-1125



## FEATURES

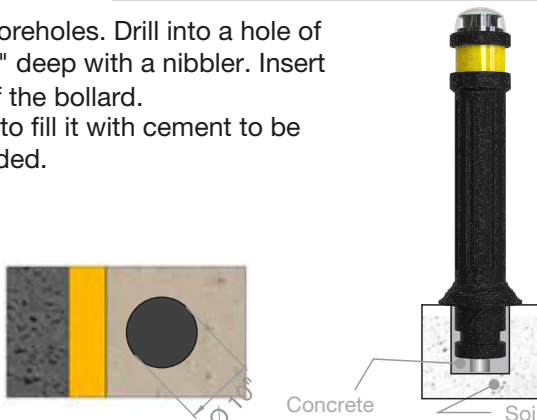
- A resistant bollard with illumination.
- Heavy-duty material that bears the daily elements.
- Made of polyethylene.
- Maintenance-free, easy to transport and handle.
- Great durability and UV protection.
- The base must be embedded on the surface.
- The dome top is made of polycarbonate which makes it aesthetically attractive.
- An acrylic diffuser that spreads light evenly.
- Colors: black, yellow, green, or granite finish.

## SOLAR LIGHTING SYSTEM

- Lighted system of LEDs by a solar cell.
- A backup battery that guarantees its performance for 14 to 16 hours when it's fully loaded in broad sunlight.

## INSTALLATION

- Mark the boreholes. Drill into a hole of  $\text{Ø } 10'' \times 13''$  deep with a nibbler. Insert the base of the bollard.
- Make sure to fill it with cement to be well-grounded.



## MEASURES

- Useful height: 3ft 8 in.  $\text{Ø } 8.19$  in.
- A white or amber reflective stripe of 22 in.  $\times$  3 in.
- Approximate weight: 77 lb.

