

A leader doesn't follow steps, **he marks the way.**

WHAT'S A STEEL PAVEMENT MARKER?

- This horizontal road traffic control device works mainly as a speed hump, parking stop, or zone delineator in roadways, highways, and city streets.
- The body doesn't deform or change even with friction and abrasion.

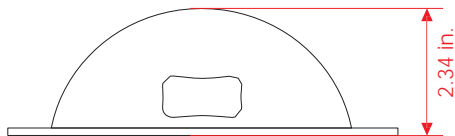
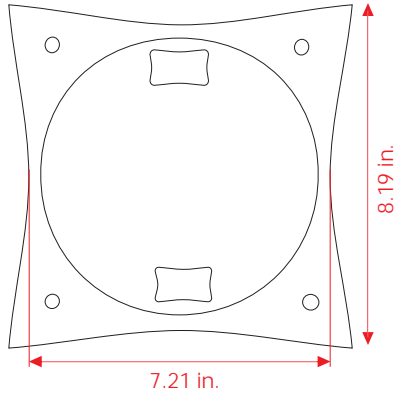


Features

- Basic and affordable pavement marker.
- High resistance to hits and impacts.
- It's highly visible during the day and night due to its size and color.
- It's specially designed to delimit contraflow lanes in streets, roads, and highways.
- One or two reflective sides.
- The one-piece steel body doesn't deform and has high resistance to rust.
- Made specially to endure heavy traffic.
- Adaptable to any kind of pavement.
- It includes four nails for its installation.



Volumes, dimensions, and other measures are nominal and may vary by approximately 2%.



Measures

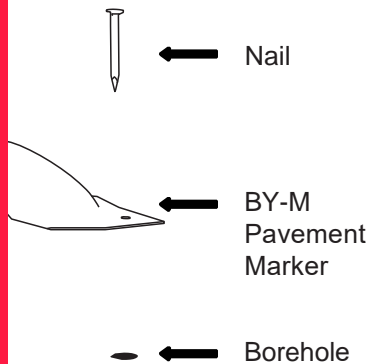
Material:	Steel sheet.
Paint:	Polyester powder coating.
Sheet gauge:	10.
Measures:	Length: 8.19 in. × 8.19 in. Height: 2.34 in.
Thickness:	3 mm
Weight:	2.75 lb.
Nails:	Stainless steel.
Number of nails:	4.
Nail measures:	Ø 1/4" × 2 1/2"
Pavement marker color:	Yellow.
Optional reflective:	High Intensity Grade.
Reflective measures:	Length: 1.95 in. Width: 0.85 in.
Reflective color:	Amber or red.



The surface needs to be dry and clean.
Mark the distribution of every pavement marker.

Two installation methods:

- **Asphalt:** Mark the four boreholes. Place the steel pavement marker on the place assigned. Then start pounding. You can apply epoxy glue on the base (optional). Make sure not to mistreat the pavement marker by carefully pounding the four 1/4 × 3" nails.
- **Concrete:** Mark the boreholes on the concrete with a 3/16" drill bit to a depth of 3". Insert the four 1/4 × 3" nails and pound them.



EPOXY GLUE PREPARATION:

1. Mix equal amounts of the "a" and "b" formulas.
2. Stir until the formulas are well combined.
3. Since you can only use it once, get rid of the remaining epoxy glue once the job is finished.