

We are on the
next level!

WHAT A SOLAR MULTIVIEW BUOY IS?

Round pavement marker used to delineate circulation lanes, restricted areas, reduce speed of vehicles in streets and urban avenues.

This is also used to separate lanes in zones where authority prohibits to pass cars or changes of lanes, for security purposes is excellent to delineate lanes of parking stalls.

Device can be solar according with your needs, with four holes of ¼" to install (included).

It doesn't need maintenance, and preserve its original color.

Ideal for road signage, dangerous zones or areas of high traffic, ensuring motorists can clearly identify instructions and be safe.



Features

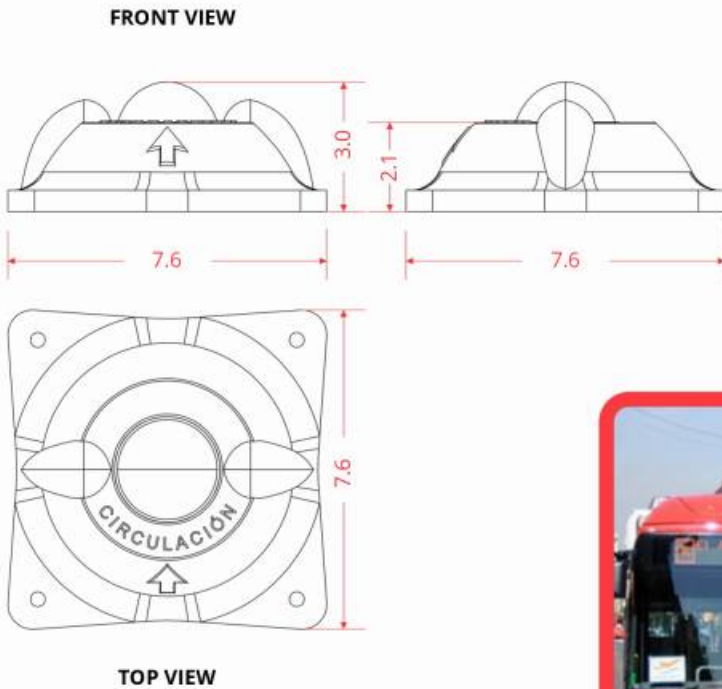
- High visibility during day and night, thanks to inner lighting system with latest generation LEDs.
- Sphere manufactured in tempered, colorless and transparent glass that allow a better light reflection and visibility from any angle.
- Resistant body manufactured in ABS of high quality in yellow color, that offers a great resistance and stretching, even in extreme temperatures; high durability and resistance to wear and tear, with UV protection that prevent damages to sun exposure; lateral protection to protect sphere of impacts and shocks, adaptable and compatible design with any even pavement suitable for wheeled traffic.
- High relief arrow that indicates way of circulation of vehicles, ease the correct installation of the device.

Lighting system

- Solar cell for automatic charge.
- 2 batteries of lithium polymer that provides a backup power supply.
- Ultrabright LEDs in white, blue or red color, with flashing light for greater visibility and safety.
- JVM circuit that controls ON/OFF of flashing light.
- Easy synchronization with other signage devices, if necessary.



Dimensions and other measures are nominal and may vary by +/- 2%.



Measures

Buoy	
* Buoy manufactured in:	ABS
* Inner body in:	ABS
* Measures:	Length: 7.6 in x 7.6 in. Total height: 3.0 in
* Color of buoy:	Yellow
* Compressive strength (load):	26,000 kg/cm2
Sphere	
* Made of:	Polycarbonate
* Measures:	Diameter 57 mm. Height: 28 mm
* Color of presentation:	Natural
	Length: 7.6 in
	Width: 7.6 in
Total	Height with sphere: 3.0 in
	Height with buoy: 2.1 in
Reflective	
Sphere:	1 solar sphere in amber, red, pink or white

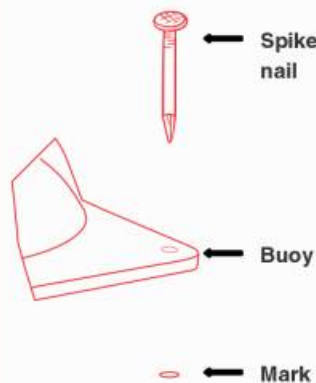


Installation

1. Prepare the surface (must be clean and dry).
2. Mark the distribution of every buoy.
3. Place the buoy and nail the spike nails one by one.

- In case of only using epoxy resin:
 1. Apply the epoxy resin on the lower part of the buoy, and make sure of covering the corners.
 2. Then, place it on the desired position and pressure the buoy (it doesn't matter if you spill glue).

Note: For better fastening, it is suggested to use both, epoxy resin and nails.



EPOXY RESIN PREPARATION

1. Compound equal amounts of "a" + "b" substances.
2. Stir until a homogeneous mixture is obtained.
3. Once you are done, dispose of the epoxy resin residuals (it is for single-use only).