

Leader don't follow steps  
... marks the way



## WHAT IS A FOLDING CHANNELER?

It is just a traffic bump with a reboundable tongue that helps in the urban vehicles traffic control. Also useful for channelize protected special lanes.

## WHAT IS A CHANNELER FOR?

Helpfull to channel traffic when there is a two way avenue and nobody lets room for bicycles, you can be part of the change respecting the signals. A visible warning sign.

## RECOMENDED USE

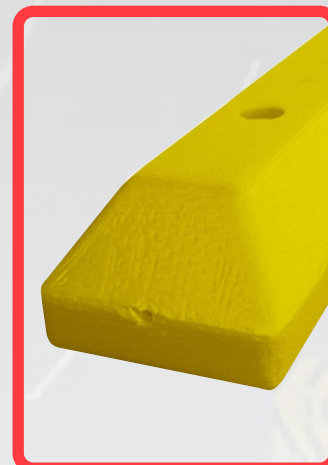
Can channelize traffic to distribute the street room for protected bicycle lanes and motorized vehicles, also helps to warn drivers.

## Features

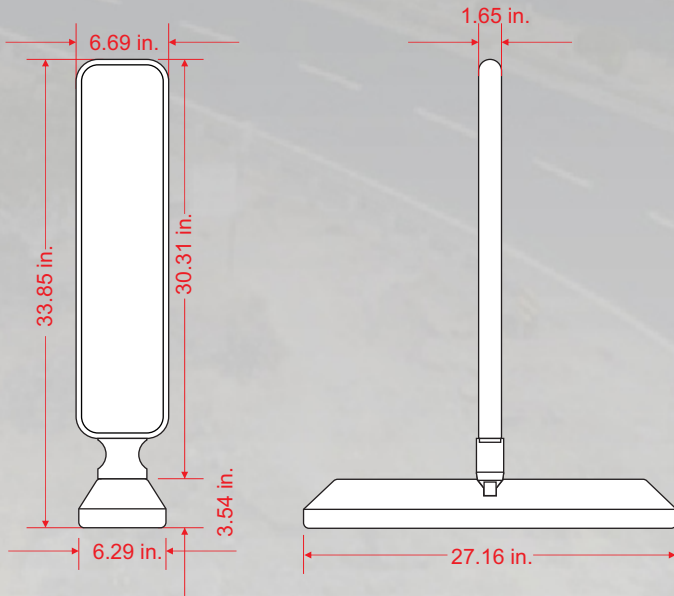
- Channeler with flexible tongue and reboundable system against impacts.
- Its and ideal auxiliary to mark counterflow vehicle traffic or to deviate it in case of emergency.
- Base or bump manufactured in high density polyethylene with two holes for anchorage on floor.
- With UV protection.
- Impact and run-in resistant
- Is very easy to transport the palette and the bump for its light weight.
- The palette can be used for orient people or drivers, for channelize and for send every messages.
- Its folding characteristic allows to recover from impacts with no rupture.
- No metallic parts inside and no sharpen edges totally harmless for people or others.
- Installation requires 2 anchors to floor. Drown it in epoxic glue for better results.



Images are merely illustrative models.



Measures are nominal and can vary, between +- 2%



## Measure

<b>Total</b>	Width: 6.69, Length: 27.16 in. Height: 33.85 in.
<b>Reflective:</b>	5.9 x 26.37 in.
<b>Reflective color:</b>	Amber, white, orange or digital press printing (optional).
<b>Aprox weight:</b>	8.37 lbs.

Mark the augers where the device is gonna be installed using it as a template. Drill with ½" drill bit for cement. Perforate to a 3" depth (just as a guide for the nails).

Place the channeler insert anchors and hammer them with a 6 lbs mallet until nail is completely down.

