

A leader doesn't follow steps, **he marks the way.**



## WHAT'S A 81H LANE SEPARATOR?

A delineator of special lanes.

## WHAT DOES A 81H LANE SEPARATOR DO?

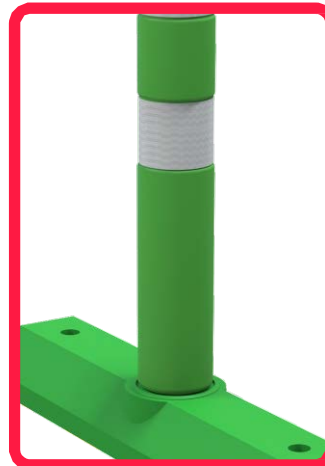
Perfect to delimit and channel lanes or bike lanes, as well as working like a traffic guide.

## USES

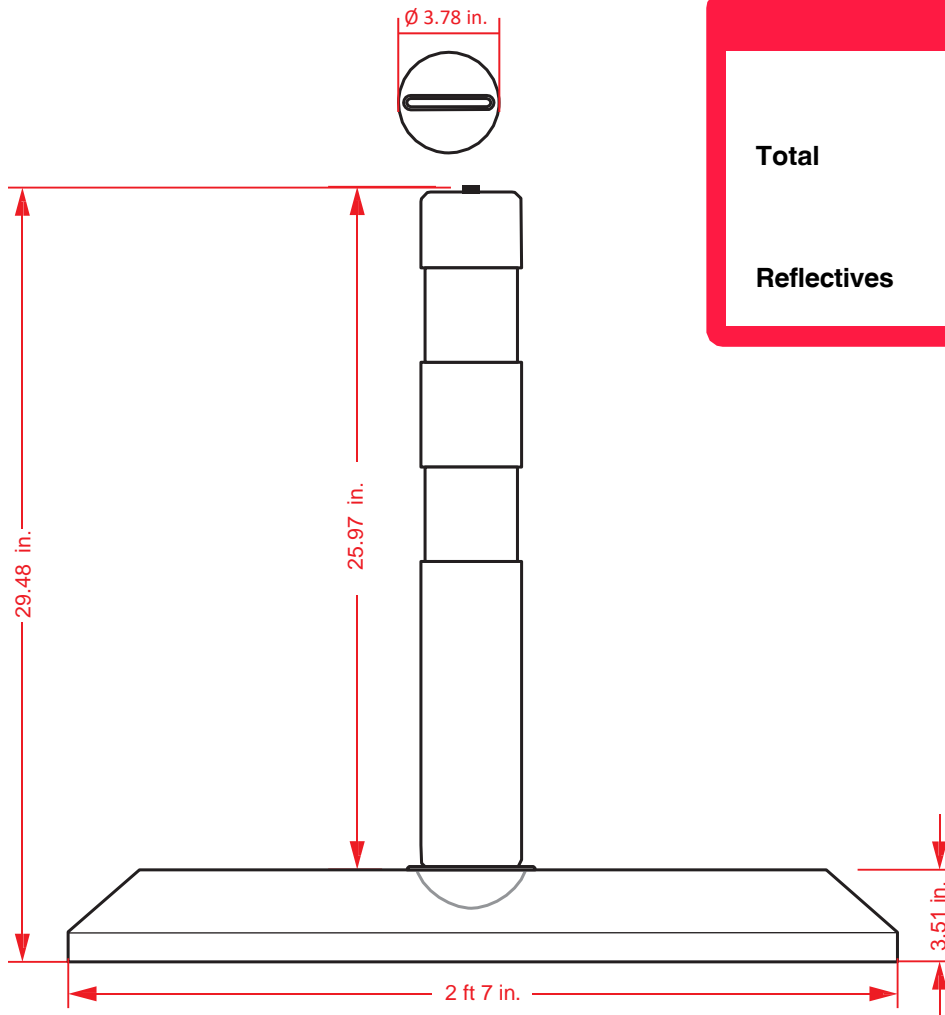
Perfect to orderly and properly channel traffic in exclusive lanes.

## Features

- This lane separator is specially designed for bike lanes, two-way avenues, and contraflow lanes.
- Made of medium-density polyethylene in one piece with two boreholes for its installation.
- Color: Yellow, green, and black.
- It has rounded edges that provide safety without damaging cars, cyclists, or pedestrians.
- High visibility due to its reflection on both sides.
- Since it's stackable, it saves on transport costs.
- It has the option of adding a Poliflexy® 66 Bollard that has bending resistance and returns to its original form.
- Bollard color: Orange, yellow, or green.
- It has the option of adding a bollard so the cyclists feel safer.
- Easy to install and replace in case you need it.
- It's installed with two nails and epoxy glue which grants it better fastening.



Volumes, dimensions, and other measures are nominal and may vary by approximately 2 %.



## Measures

### Total

Height: 2 ft 7 in.  
 Width: 6.24 in.  
 Length: 3.51 in.  
 Height with a bollard: 29.48 in.

### Reflectives

Amber, white, and red.

