

Leader don't follow steps
... marks the way

FEATURES

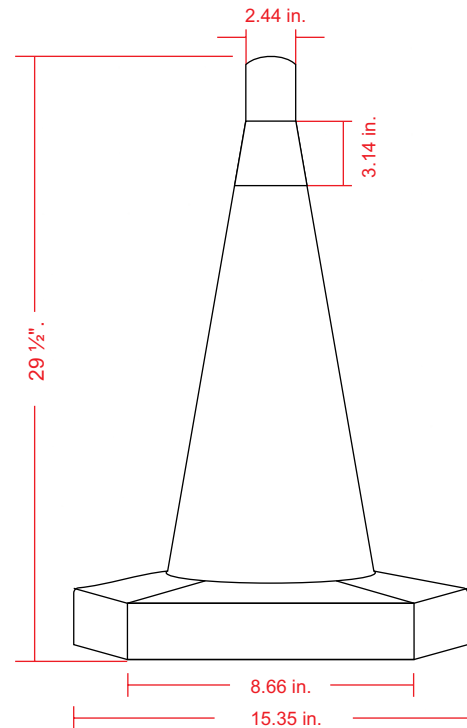
- Semi-flexible cone.
- Hexagonal base.
- Impact resistant.
- UV ray integrated protection.
- Can be use as a traffic deviator.
- These large cones are common markers on roads to redirect traffic in a safe way on a temporary basis.
- Useful to distribute lanes, to separate or to merge them, during works on-road or to make a warning due to accidents.
- Its base can be ballast with sand (included), for a better stability.
- This way it can bear strong winds up to 45 mi/h.
- Can be use indoors or outdoors.
- Comply with night-work standards.
- These cones are stackables favouring its transportation.
- (Optional) Can carry reflectives collar bands or not.
- Reflective collars are very important to guide drivers in low light conditions.



Images are merely illustrative models.

Technical Data

* Manufactured out in:	Polyethylene
* Color:	Traffic orange
* Aprox. weight:	Base black
* Measure:	11,73 oz.
	Base: 15.35 in., Height: 29 ½".
	Hexagonal base: 8.66 in. x side,



Measures are nominal and can vary between +- 2%.