

A leader doesn't follow
...marks the way

ECOFLEX® 125

Delineator posts are signage devices that demarcate, delimit and guide transit of roadways or parking lots, used specifically to channelize bike ways and forks.

Their main function is avoid vehicles invade prohibited zones; limit or line reserved zones, these also create pedestrian crossings.



Features

- Ecoflex125 delineator post is manufactured in poliflexy® to be rigid enough to maintain its position and recover it if impacted.
- Line color: Yellow, orange, green, blue, white and black.
- Delineator posts have 4 reflective rings to guarantee more visibility in dark environments.
- Body manufactured in one piece, without extra caps to avoid detachment.
- Base with gussets made of the same material, increasing support when impacted.
- Base with 3 boreholes for a safe and easy installation.
- Fastening: it is suggested to use 3 screws and 3 extralarge anchors, providing extra security.
- Add heavyweight base for a portable post, avoiding falls.
- Base manufactured in black polyethylene; with included handle for an easy maneuverability.



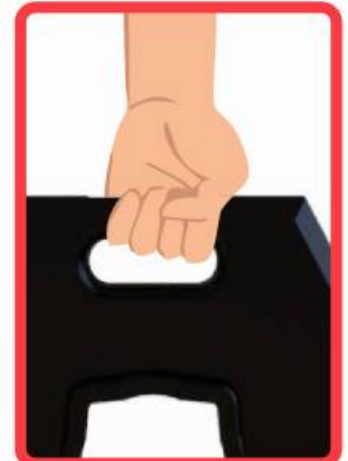
Reflective Sheeting



Anchoring

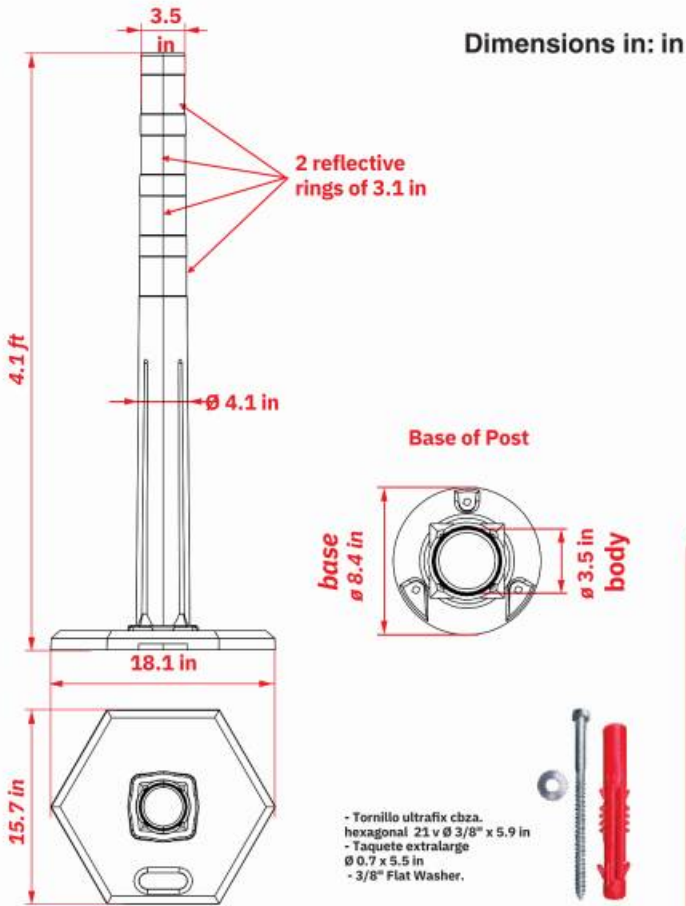


Gussets and boreholes



Handle

Volumes, dimensions and other measures are nominal and may vary by approximately 2%.



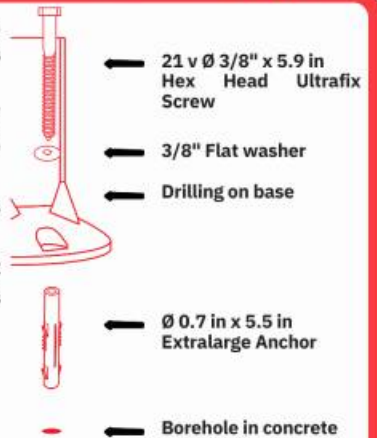
FRONT VIEW

Measurements

Total	Height: 4.1 ft
	Top ø. 3.5 in
	Base ø. 8.4 in
Base	15.7 x 18.1 x 15.7 in of height
Reflective Sheeting: 4 rings	
Reflective Sheeting Color: White, amber or two-tone	
Around Weight: 3.6 lbs	

Anchoring System

1. Mark the position of the boreholes, using the base of a delineator post as a template.
 2. Drill the designated area with a 3/4" drill bit for concrete to a 6" (15.24 cm) depth.
 3. Insert the anchors on the boreholes and place the delineator post.
 4. Put the 3/8" x 5.9 in screws with flat washers and tighten the 4 screws using 9/16" a socket wrench.
- DONE!**



Note: Add epoxy resin in boreholes for a better installation, if desired.



more durability
 more safety
 more resistance
 lower cost