

Leader don't follow steps
... marks the way

WHAT ARE THE POST-110?

The polyethylene posts are very useful items that can have heavy base for more stability.

Its main objective is to mark limits of certain zones in efficient and flexible way.

Are made in vibrant colors to get attention. And are commonly used in road works, traffic deviations, parking lots, to mark around a hole on the ground and else.

Images are merely illustrative models.

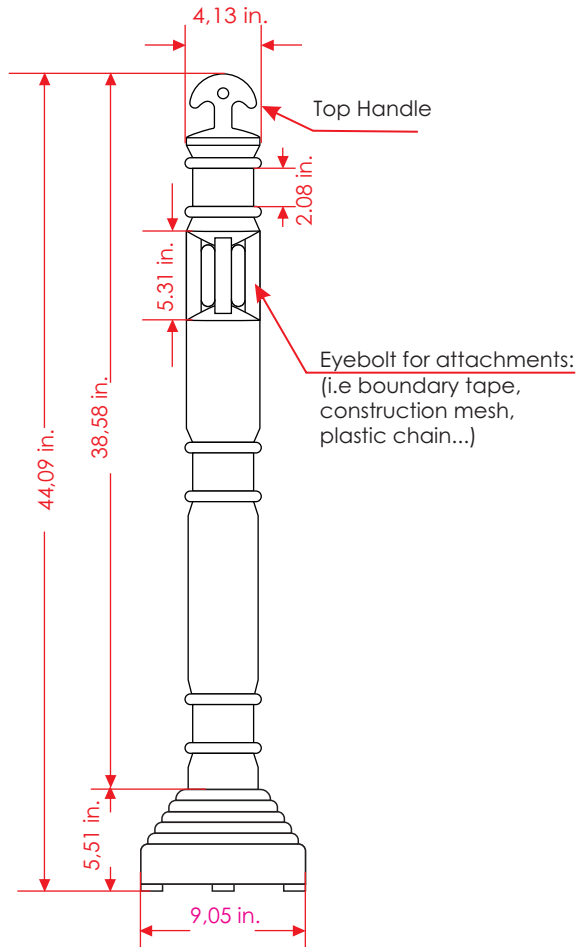


FEATURES:

- Post dedicated to mark limits or zones, efficient and economic.
- Its geometry design has an eyebolt to carry-in different attachments depending the use, like boundary tape, plastic chain, a flashing lamp or a construction mesh, also has a handle form atop for easy transport.
- This post can be positioned in rapid and easy way everywhere.
- Manufactured out in polyethylene.
- The PVC base provides stability.
- All weathering resistant even extreme temperatures.
- Integrated with UV protection.
- Has 3 reflective rings to better visibility in nights.
- Line colors: orange and yellow.



Measures are nominal and can vary, between +/- 2%.
All in inches and pounds.



Measure

Total	Post height: 44,09 in. Base width: 9,05 in.
Reflective ring dimensions:	Height: 2,08 in.
Reflective type:	Prismatic grade
Body color:	Orange or yellow.
Weight (aprox):	14.41 lb

