

Leader don't follow steps
... marks the way

WHAT IS THE EASY PUT & REMOVE POST?

Flexible post for signalise and divide urban room, armable and practic composed by different modules.

With an adaptative base to put and remove from floor.

Reflectives bands for better visibility from distance.

Total mobility (360 grades) and inclination up to 45 degrees.

Idoneus for regulate the control access to vehicles in parking lots, schools, deviations and for changing traffic depending on different hours, schedules and day of the week.

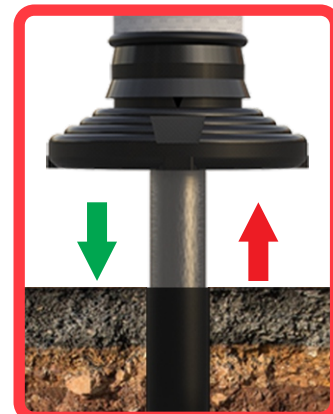
Useful to make traffic counterflow changes, from one direction in the morning to the opposite in afternoon, Doing this one or two times in the same day requires a very versatile item like this.

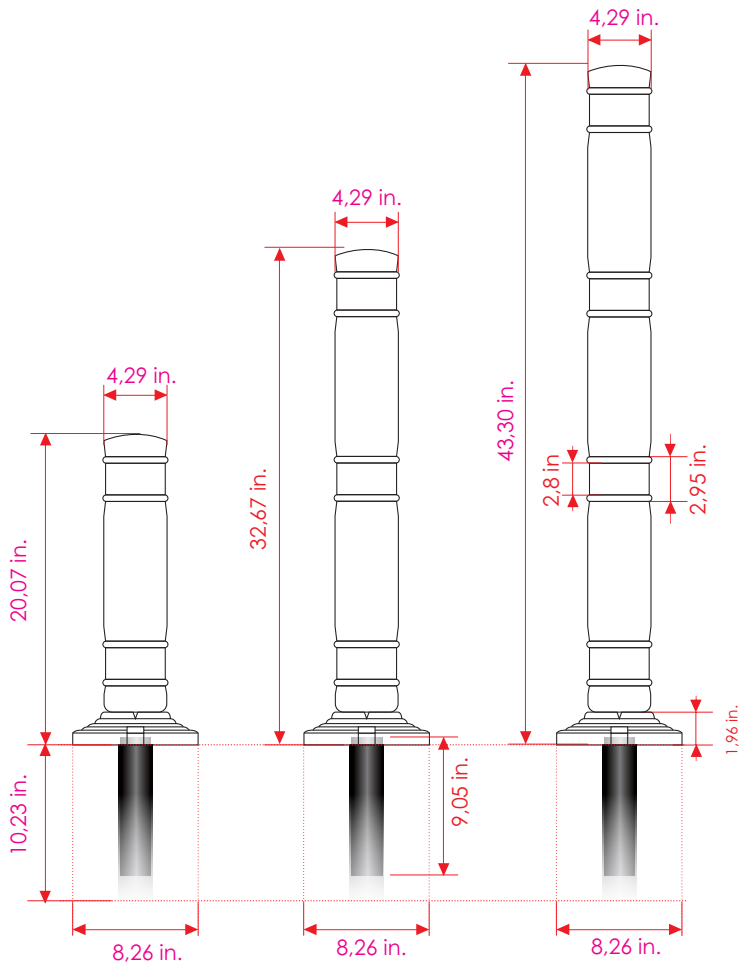
Images are merely illustrative models.



FEATURES:

- It can resist accidental impacts and hits moving and going back to its original position.
- Very visible colors for traffic items yellow, orange, green, blue, balck or white.
- Very resistant to weathering and extreme temperature changes, with integrated protection for UV rays.
- Reflective strips of very good quality for being visible in day or nighttime.
- This special post is composed of three armable pieces to configurate the same heights number, just screw one with another according to the moment needs.
- Rounded base with big stability and a central spring for the reboundable system.
- For install, first make a hole for down on pavement a polyethylene tube \varnothing 2 1/4" x 10,23 in. length, this is going to encapsule or receive inside another tube fixed to the post.
- The the post has a tube 2" \varnothing x 9,05 in. just calculate exactly to fit into the grounded one.
- So, the post can be put on place and remove in a very easy way without affecting traffic on critical hours.





Measure

Manufactured out in: High molecular weight polyethylene.

Module color: White, blue, orange, yellow, green or black

Total measure and weight:

1 module post:	27,55 in. height w/post.	3,54 lb.
2 modules post:	40,25 in. height w/post.	4,05 lb.
3 modules post:	50,78 in. height w/post.	4,68 lb.

Base (material): medium density polyethylene..

Color base: Black.

Reflectives (optional rings): Prismatic quality.

- **Bright (reflectometer 85°)** More than 40°.

- **Tension probe (300mm/min.)** near 2.25 kgf.

- **Heat Resistance (71 ± 3° C x 24 hrs.)** No changes.

- **Cold Resistance (-57 ± 3° C x 7 hrs.)** No changes.

Anchorage System



Mark the precise place for make augers on floor.
There dig a hole \varnothing 2½" x 12 in. depth.

Introduce the polyethylene tube size 2½" x 10,23 in. then leveled and drowned the tube with cement.

If everything goes well, the hole can receive the Put & Remove post anytime.