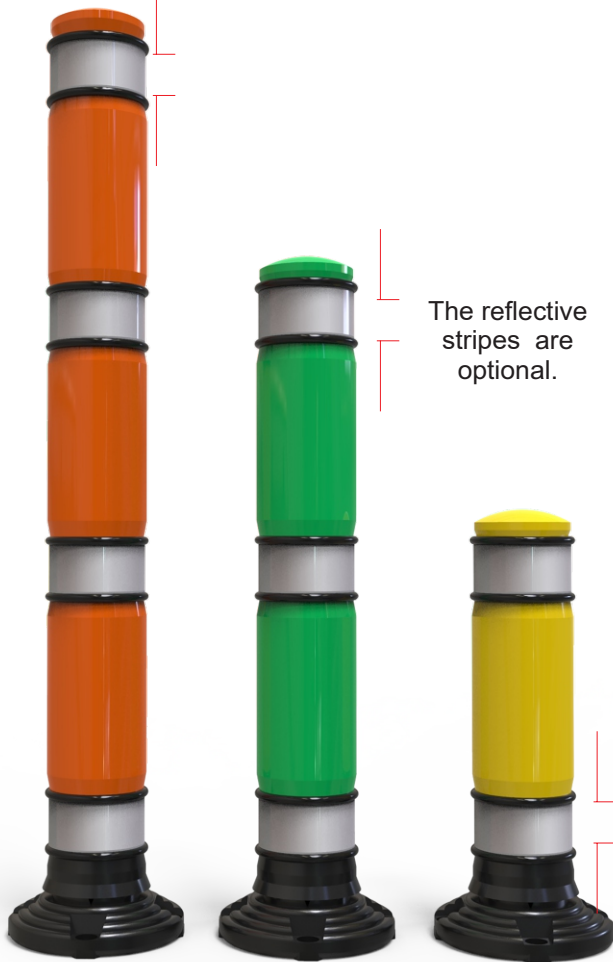


A leader doesn't follow steps
... he marks the way

The images are merely representations of the models.



The reflective stripes are optional.

WHAT'S A MAXI FOLDING POST?

- A versatile modular post.
- It's very useful in roadworks and to mark traffic counter-flows, detours, merges, parking lots and much more.
- Weather-resistant and extreme temperature changes resistant.
- UV protection.
- It's resistant to all kinds of hits and impacts.
- A circular base with great stability that includes a spring in the middle to make the post returns to its original position.
- Traffic colors of great visibility.
- High-quality reflective stripes that work day and night.
- The screwable and easy to assemble system facilitates transport and any height changes.



Anchorage



FEATURES

MAXI FOLDING POST BODY

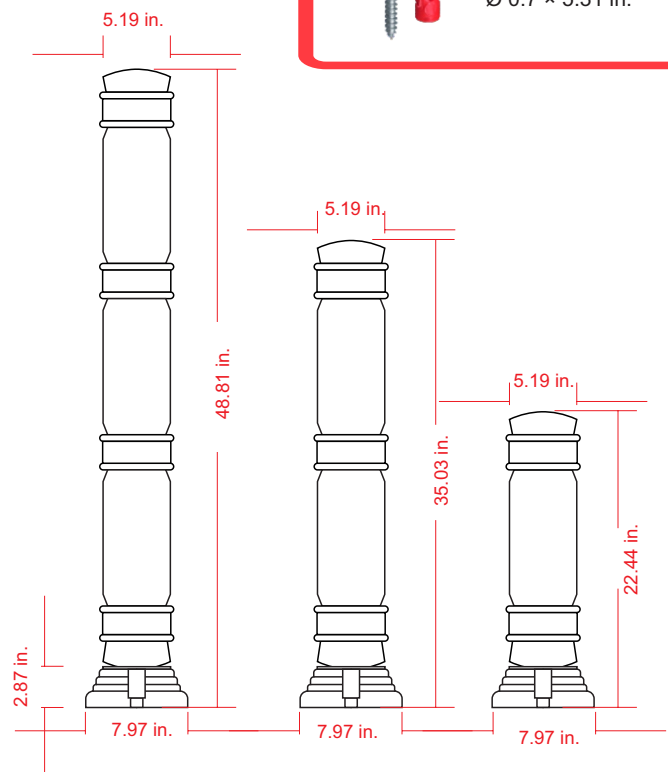
- * **Manufactured in:** Medium-density polyethylene.
- * **Body colors:** White, orange, yellow, black.
- * **Stripe color:** Black.
- * **Base color:** Black.

MEASURES:

- Modules:** Height: 10.23 in. Diameter: 5.19 in.
- Base:** Diameter: 7.87 in. Height: 2.87 in.
- Stripes (measure):** Diameter: 4.96 in. Height: 2.67 in.
- * **Stripes (reflective quality):** Engineering Grade

TOTAL HEIGHT (POST + BASE):

- Post with 1 module:** 22.44 in.
- Post with 2 module:** 35.03 in.
- Post with 3 module:** 48.81 in.



Volumes, dimensions, and other measures are nominal and may vary by approximately 2 %.