



True leaders do not follow
...they lead the way

¿WHAT IS THE 110 BARRICADE?

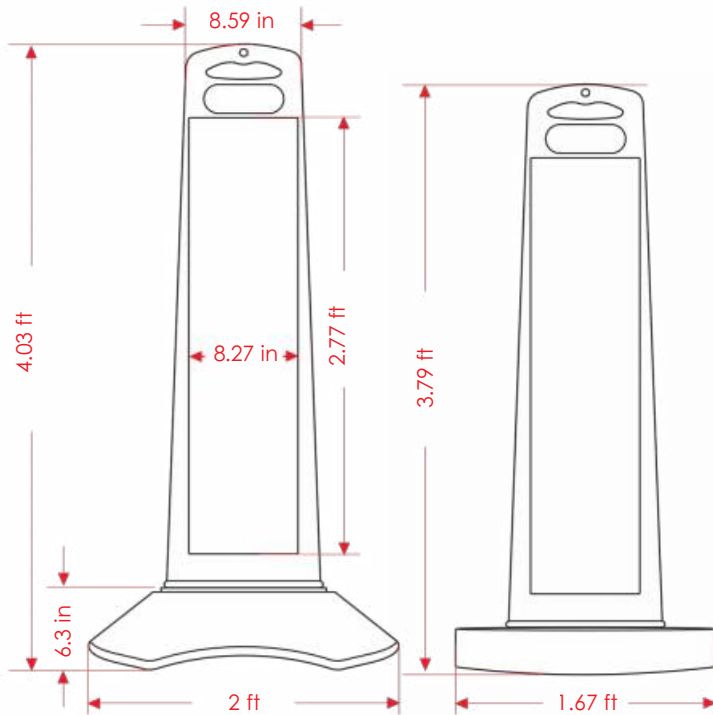
- Road safety barricade with decorative or oval base.
- Designed to secure risk areas, protect pedestrians and workers, and provide safety at crossings, parking lots, and construction zones.
- Perfect for channeling and guiding traffic flow.

Features

- The structure is made from medium-density polyethylene.
- Our barricades are one of the most effective solutions for guiding vehicle traffic, minimizing risks, and ensuring protection for both on-site workers and drivers.
- Equipped with an integrated ergonomic handle for easy handling and transport, they also allow for the attachment of caution tape or plastic chain. Each unit includes a slot for an optional warning light.
- The base can be filled with sand to provide greater stability on site.
- Their stackable design maximizes efficiency, cutting transportation and storage costs significantly.
- High visibility and safety.
- Designed to align with drivers' eye level, these barricades provide exceptional visibility.
- Available in bright safety orange, they can be fitted with two or four reflective stripes (optional on both sides), ensuring clear visibility even in low-light conditions such as nighttime or fog.
- Engineered to resist impacts and shocks, they provide UV protection and are designed to endure harsh environments and extreme temperature variations without compromising performance.



Dimensions and other measurements are nominal and may vary by $\pm 2\%$



Dimensions

Decorative base:	Length: 2 ft Width: 15.75 in Overall height: 4.03 ft
Oval-shaped base:	Length: 1.67 ft Width: 13.98 in Overall height: 3.79 ft
Reflective:	Available with 2 to 4 reflective stripes on each side
Reflective color:	White preferred

