

A leader doesn't follow steps, **he marks the way.**

## WHAT'S A MULTI-IMPACT ATTENUATOR?

This impact attenuator is designed to bear a large number of impacts without needing maintenance or replacement.

The cushioning effect minimizes the vehicle damages at the time of impact and its base anchor makes it a safe and resistant crash cushion.

It includes a steel structure bolted to the floor and two triangular steel plates that grant it higher resistance, both are attached to its body through reinforced steel plates.

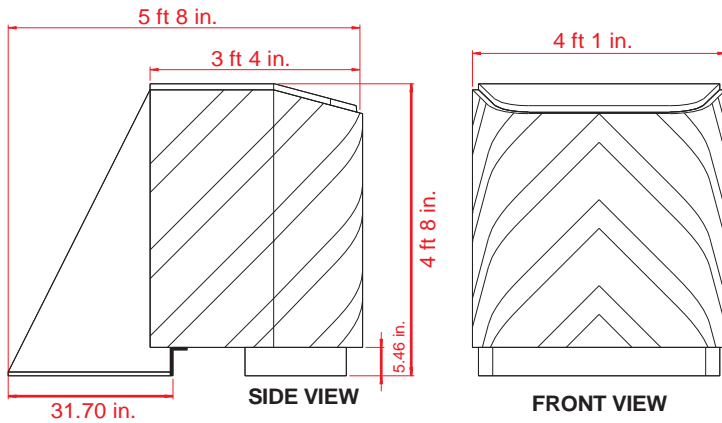


## Features

- It's composed of a flexible cushioning of Vitemflex® plates that have plates of different hardness, densities, and thickness. This combination achieves maximum cushioning, and the internal design creates cavities that work as airbags.
- Support structure: Hot dipping galvanized steel sheet.
- Floor-anchoring with a concrete footing of 1/2" rebars and reinforced concrete.
- Double-function protection:
  - \*First and foremost, caring for people's safety by saving lives.
  - \*And secondly, the protection and conservation of sign posts, electrical wiring, bridges, columns, etc.
- It includes a solar flashing lamp.
- It charges through direct sunlight: It works for 70 hours (flashing mode).
- Automatic: Lights up when it gets dark and it turns off during the day.
- Red LED.



Volumes, dimensions, and other measures and may vary by approximately 2%.



## Measures

**Total**

Length: 5 ft 8 in.  
 Width: 4 ft 1 in.  
 Height: 4 ft 8 in.

**Reflective**

Engineer Grade Prismatic  
 (other grades of reflective upon request).

**Impact attenuator:**

Vitemflex® plates.

**Support structure:**

Steel plates.

**Steel treatment:**

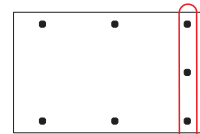
Hot-dip galvanization.

**Floor-anchoring:**

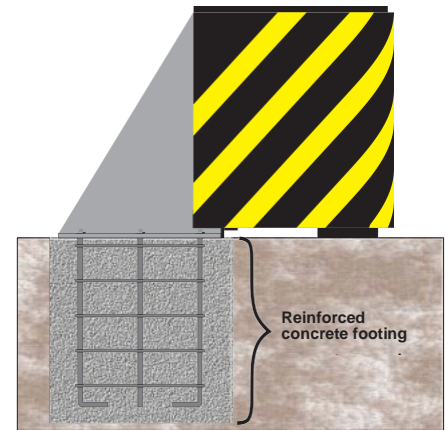
Reinforced concrete footing with 1/2" rebars.

## INSTALLATION

- Dig a hole of approximately 2 ft 11 in. x 33.15 in. x 23.40 in.
- Put the structure making sure that the three bolts are placed correctly.
- Pour the reinforced concrete taking care that the threaded rods of the bolts stay outside so you can put the nuts over them.
- Seven 1" nuts, flat washers, and flat spring washers.



Reinforced concrete footing, the threaded rods of the three bolts need to be outside.



Floor-anchoring system

