



## A leader doesn't follow ...marks the way

The street sign 390 is luminosity in all its splendor, with vandal-proof design and solar technology.

More than a street sign, an street decoration, an ornament with light that brings life to avenues.

Indicate to users the name, type of road, demarcation of location, traffic flow, and in some cases the address signs of streets, avenues, et al; regardless of the time of the day, as it is visible at all times.

It is placed in a proper post or preferably an existent one at the corner of the road intersections.

Ideal in strategical zones with pedestrian flow or meeting points.

Geo-location technology with QR-code for emergencies and safety (optional).

### Features

- Street Sign manufactured in lightweight body of white RCB polymer to allow the sunlight pass through, designed in one-piece with 2 integrated steel strips to install on the post.
- Curve front to add any flexible label with adhesion for signage in both sides, with a service life of 5 years.
- Resistance to inclemency and temperature changes, with UV-protection.
- Long lifespan, it doesn't rust.
- 100 % recyclable.
- Easy to install, (stainless steel strap).
- Tubular post or RHS (optional), finished in black color electrostatic paint.
- Diamond or pyramidal finial.

### ELECTRIC SYSTEM FEATURES

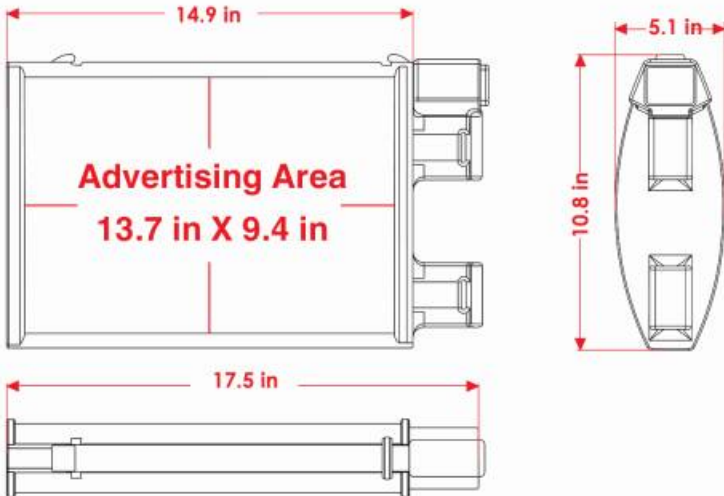
- 3V, 1.65W; 1.1 x 11.8 in solar panel.
- Strip of 1.5 Watts, 12 latest generation ultra-bright SMT LEDs in white color.
- Aluminum support for LED and heat sink.
- 2 "AAA" batteries, of 1100 mA.
- JVM supply circuit.



Volumes, dimensions and other measures are nominal and may vary by approximately 2%.

Measures in: in

### HORIZONTAL STREET SIGN



### Measurements

Street Sign	Length: 17.5 in Width: 5.1 in Height: 10.8 in
Reflective Sheeting	Both faces
Reflective Sheeting Color	According to the project



Electric power supply for a perfect street lighting.