

## WHAT'S AN ILLUMINATED STREET SIGN?

- You can find what is truly majestic in the little details.
- The **Illuminated Street Sign 770** is luminosity at its best, and what's more, it's vandal-resistant and anti-graffiti.
- It shows the names, street types, jurisdictions, directions of traffic, and in some cases, street numbering, avenues, properties, etc.
- It can be installed with its pole or an existing one on the corners of road intersections.
- Perfect for strategic zones with higher amounts of pedestrian fluency or meeting points.
- Geolocation Technology with a QR code for emergencies or safety.

## Features

- This **Illuminated Street Sign** has a lightweight body made of white RCB polymer that helps the light to pass through. It includes two sealing flaps for fastening the pole. Also, the design has a curved front and accepts any flexible adherent sheets for labeling on both sides.
- It's weather-resistant and has resistance to temperature changes. It also has UV protection.
- Since it doesn't rust, it extends its working life.
- 100% recyclable.
- Easy to install with a stainless-steel strip.
- You can attach it to a 4" 16 gauge tube with a 1/4" plate of 11.7 in. x 11.7 in. or to an existing pole.
- Black finish with powder coating.

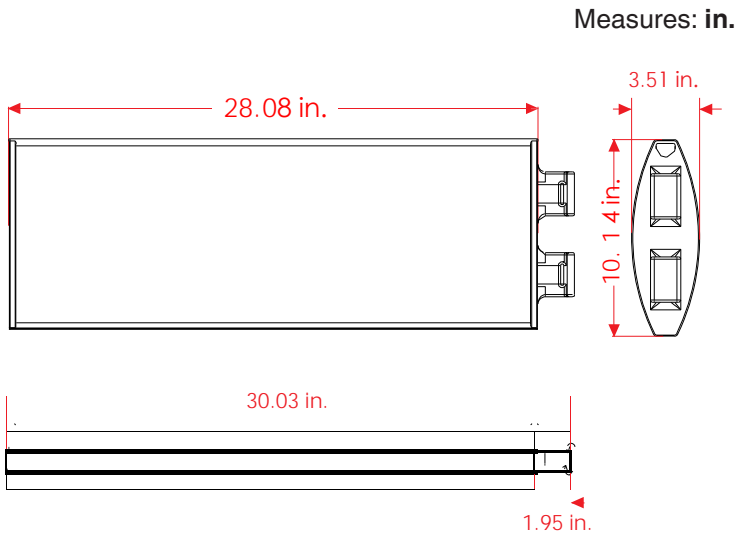
### ELECTRIC POWER SYSTEM FEATURES

- Its LED technology has lower electric power consumption and is environmentally friendly.
- It has an on/off switch that works through its photoelectric sensor.

LED module with a linear arrangement:	84 LEDs
Input voltage:	100-240V
Power consumption:	19.52W
Half-life hours:	35 000 h.
Lumens:	768
Smart inner on/off photoelectric control	INSTANTANEOUS
Degree of protection:	IP65
Degree of protection:	IK08



Volumes, dimensions, and other measures are nominal and may vary by approximately 2 %.



## Measures

<b>Street Sign</b>	Total length: 30.03 in. Width: 3.51 in. Height: 10.14 in.
<b>Reflective:</b>	Both sides
<b>Reflective color:</b>	According to your project

	Mod. NOM-390N	Mod. NOM-390 Lit	Mod. NOM-390 ST-Lit
<b>Illumination</b>	-	Yes	Yes
<b>Power</b>	-	9.75W	19.52W
<b>Lumens</b>	-	384	768
<b>Color</b>	Black	Translucent white	Translucent white
<b>Color temperature</b>	8,500-10,000	8,500-10,000	8,500-10,000
<b>Linear LED module</b>	-	42 LED chips	84 LED chips
<b>Photoelectric sensor</b>		Yes	Yes

Note: NOM-390N: Without light

NOM-390 LIT: 42 LEDs with limited illumination

NOM-390 ST-LIT: 84 LEDs with high-intensity illumination