

Every night +
... pretty and safe



- Vandal-proof solar street sign 90; luminosity in all its splendour.
- Street sign with proper light that embellish streets and avenues.
- It indicate users the names, type of road or demarcation where is located, direction and in some cases street and house numbering, it doesn't matter the hour, due it is always seen.
- We recommend to set in POSTEFLEX®.
- It can be a proper or existent post, preferably in corners of intersection of roads.
- Ideal in strategic zones of high pedestrian flow or meeting points.
- Geolocation technology with QR code for emergencies or safety (optional).
- **Register issued by Patent office IN PROCESS.**
- **It comply with NOM-034-SCT2/SEDATU-2022.**

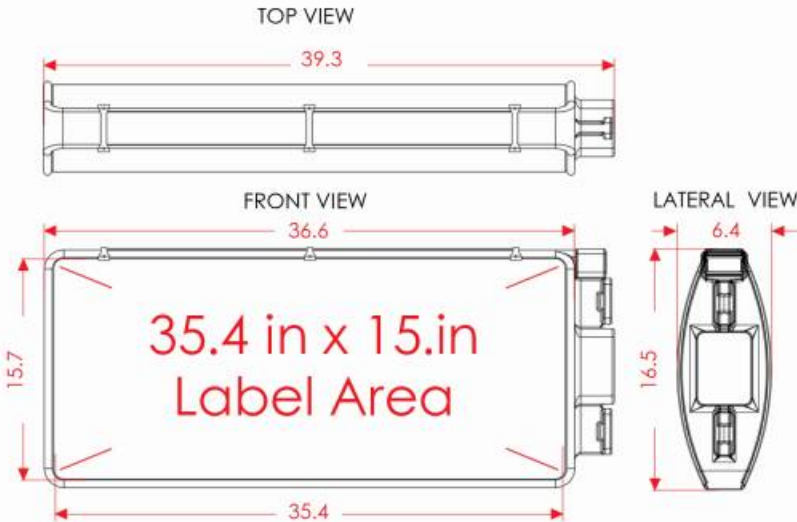
Features

- Street sign of vandal-proof body, manufactured in RCB white color to pass light, designed in a single piece which has integrated 2 parts to subject to post.
- In addition, less weight than one of steel, ensuring pedestrian in possible accidents, likewise, it doesn't has comercial neither resale value in case of theft.
- Curved front to accept any flexible film with adherence for labeling in both sides, with 8-10 years of durability.
- Resistant to inclemency and temperature changes with UV protection.
- 30 years of lifespan due it doesn't rusts.
- 100% recyclable.
- Easy installation (stainless steel strap).
- RHS post or tubular one, with finish in black color paint or galvanized, also posteflex in yellow or grey color.
- Pyramid type finial.
- **SOLAR SYSTEM FEATURES**
- 2 photocells of 60mm x 360mm, each of 4V, 800mA, 3.2W.
- SMT ultrabright LED strap in white color, latest generation.
- Aluminum support for LEDs, heat sink.
- 2 "AAA" batteries of 1100 mA.
- JVM power supply circuit.



Dimensions and other measures are nominal and may vary by +/- 2%.

Measures in: in



Measures

Street Sign:	Total Length: 39.3 in Width: 6.4 in Height: 16.5 in
Area of label:	35.4 in x 15.7 in
Label:	Both sides
Color of reflective.mat.:	According to project

SOLID DUO SOLAR STREET SIGN-90 & POSTEFLEX®

100% Vandal-proof

Resist impacts without deforming neither bend

