

## WHAT ARE ILLUMINATED STREET SIGNS?

- An affordable luxury.
- An illuminated street sign that shows names, street types, jurisdictions, the direction of traffic, and in some cases, street numbering, avenues, properties, etc.
- It can be installed with our pole or an existing one on the corners of road intersections.
- The design has a curved front and accepts any flexible adherent sheets so you can label it on both sides.
- Perfect to name streets or as advertisements.



## Features

- The lightweight body is made of a special black polymer molded in just one piece with two integrated sealing flaps that are used for installation.
- The street sign doesn't rust which extends its working life.
- It has UV protection, it's weather-resistant and has resistance to temperature changes.
- 100% recyclable.
- Vandal-resistant and anti-graffiti.
- Easy to install with a stainless-steel strip.
- It's suggested to install on an RHS or tubular pole which could be fixed with concrete or anchor bolts. It can also be installed in an existing pole.
- Diamond or pyramid-shape finish.



SEALING FLAPS ON THE BODY



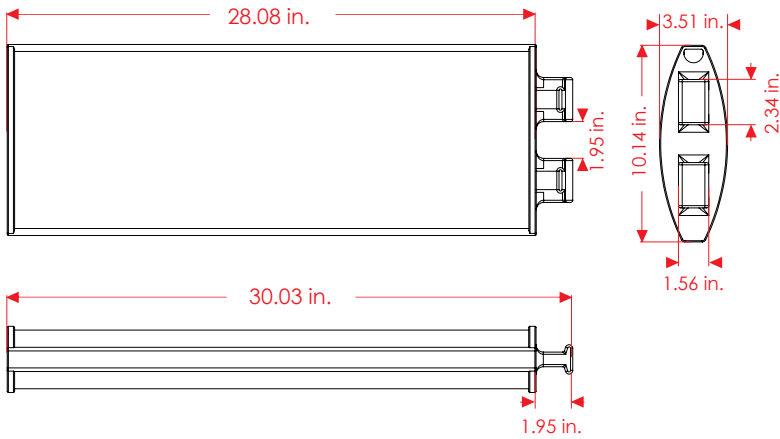
DIAMOND-SHAPE FINISH



INSTALLATION WITH STRIPS

Volumes, dimensions, and other measures are nominal and may vary by approximately 2 %.

Measures: in.



## Measures

	Length:	30.03 in.
<b>Illuminated Street Sign:</b>	Width:	3.51 in.
	Height:	10.14 in.
<b>Reflective:</b>		Both sides
<b>Reflective color:</b>		According to the project

