



↑
QR

THE BEST VERSION 9040

This road signage device ensures street sign is clear, easy to read and comply with the established standards of the Secretaría de Movilidad (Secretariat of Mobility) (SEMOVI).

This street sign indicates names, type of road where you are located, etc.

Option to include QR code for emergencies can provide additional information in real time, improving safety and assistance in emergencies.

Two faces format.

Registration issued by patent office IN PROCESS. *

Comply with NOM-034-SCT2/SEDATU-2022, Section. 6.6.1.2 Table 29.

Features

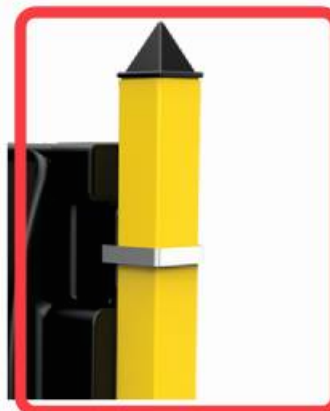
- Information in both sides ensure motorists and pedestrians can read both faces.
- Street sign with vandal-proof body, manufactured in RCB black polymer, in a single piece; with 2 integrated clamping tabs for an easy installation.
- Curved front to accept any flexible film with adherence to label or sign in both faces.
- Resistance to inclemency and temperature changes with UV protection.
- This weigh less than a street sign of sheet, maintaining safe to pedestrian in possible accidents.
- 30 years of life span, due doesn't rust.
- 100% recyclable, contributing to environmental sustainability.
- Convenient and easy to install, whether is installed with stainless steel or nylon strip.
- Can be placed on existent pole, tubular, galvanized or painted RHS pole.
- We suggest the use of **posteflex**® yellow or grey with pyramid-shaped-top, post free of oxide, flexible and durable.
- NOM-9040 and **posteflex**® have no resale or commercial value in case of theft.



INTEGRATED CLAMPING TABS



NYLON STRIP WITHSTANDS UP TO 220 LBS



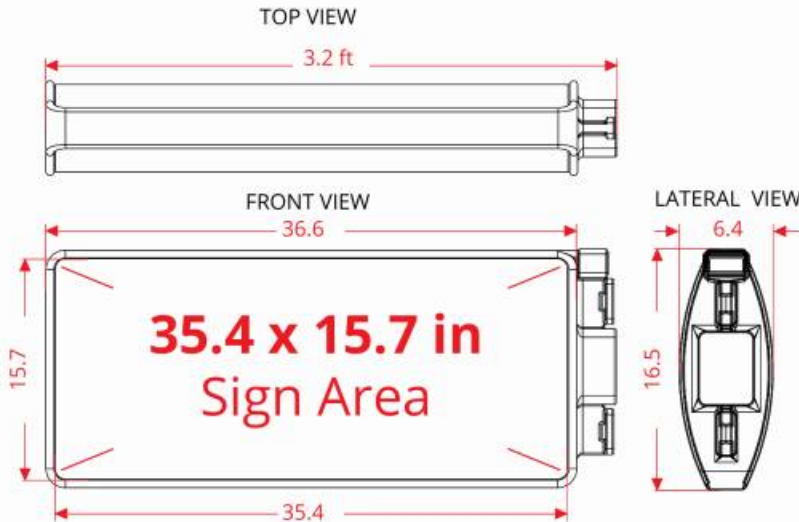
RHS POST WITH PYRAMID SHAPED TOP



TUBULAR POLE WITH DIAMOND SHAPED TOP

Volumes, dimensions and other measures are nominal and may vary by approximately 2%.

Measures in: in



Measurements

Street Sign:	Total Length: 3.2 ft Width: 6.4 in Height: 16.5 in
Label/Sign Area:	35.4 x 15.7 in
Label/Sign:	Both faces
Reflective sheeting color:	According to project

THE SOLID DUO STREET SIGN-9040 and POSTEFLEX® 100% Anti-vandal

Withstand bumps without deform neither bend

