

A leader doesn't follow steps, **he marks the way.**



## WHAT'S A TRAFFIC LANE CHANNELIZER?

This lane separator with a reboundable bollard helps to divide lanes.

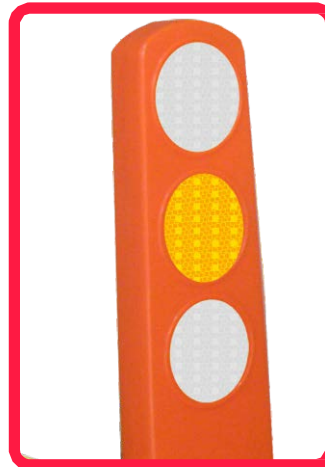
Perfect to direct detours, guide contraflow lanes, and condition cars to respect the exclusive lanes.

It channels restricted areas and road sectors for the cyclist's protection.

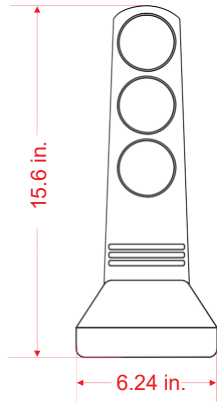
Mainly suggested in avenues or wherever you want to place a bike lane and reduce the speed.

## Features

- This lane channelizer includes a reboundable bollard with an auto-recovery system for impacts.
- Perfect for contraflow lanes and detours for temporary constructions.
- The material and design make it cushion impacts, have mechanical resistance, and have an anti-skid feature.
- High visibility day and night.
- UV protection.
- Since it's lightweight, it's easy to transport.
- Since it doesn't have edges, it doesn't damage vehicles.
- The material of the lane separator is HDPE with a Poliflexy® bollard.
- It has two optional sizes 27.30 in. or 31.20 in.
- You will need two nails for its installation, and for better fastening, you can add epoxy glue.

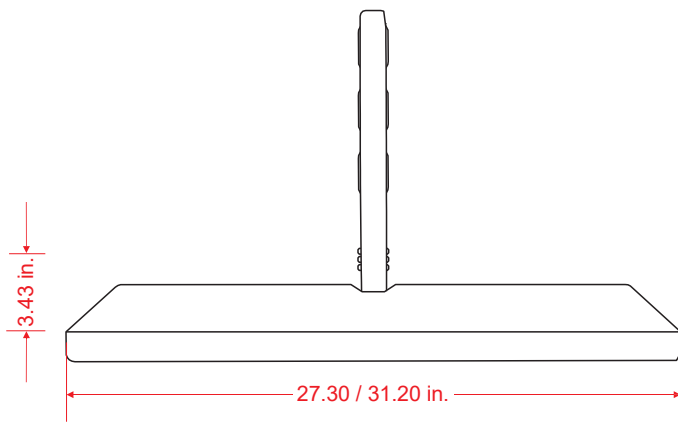


Volumes, dimensions, and other measures are nominal and may vary by approximately 2 %.



## Measures

<b>Total</b>	Length: 27.30 or 31.20 in. Width: 6.24 in. Height: 15.6 in.
<b>Reflective:</b>	6 circles of Ø 2.14 in.
<b>Reflective color:</b>	Amber or white.



Mark the boreholes using the traffic lane channelizer as a template. Bore into the holes with a drill and a 1/2" concrete drill bit to a depth of 3".

Place the traffic lane channelizer. Insert the nails and hammer them with a 6 lb. mallet.

