

A leader doesn't follow steps ... he marks the way

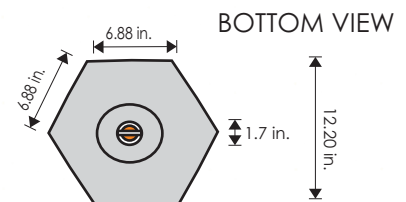
## Features

- \* It's made with an anti-UV treatment and it has high resistance to the environment.
- \* It's perfect as an accessory to delimit construction sites, repairs, restrict pedestrian crossing or highlight risk areas.
- \* It's highly resistant to blows, falls and crashes.
- \* Its strong base allows it to have great stability against wind, hits and crashes. It can also be filled with water or sand.
- \* Its design facilitates forming or delimitating any area with the number of posts that you require according to your necessities.
- \* It is convenient in transport due to its sections of modular design which are assembled with pressure and great ease.
- \* Easy to clean and maintenance-free.
- \* It's available in a great variety of sections in attractive and showy colors of high visibility and easy localization.

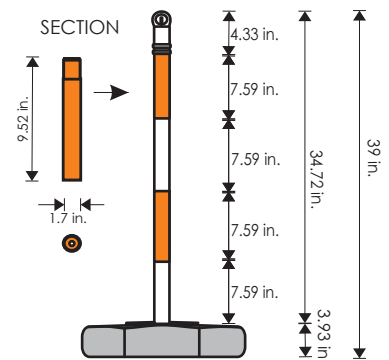


## Technical specifications

- \* **Made of:** Medium-density polyethylene
- \* **Total weight:** 35.27 oz.
- \* **Measurements**
- \*\***Total height** 39 in.
- \*\***Base width** 12.20 in.
- \*\***Total length of one section:** 7.59 in.
- \*\***Diameter of the section:** 1.7 in.
- \*\***Total base height:** 3.93 in.
- \* **Basic elements of the post:** 4 sections, 1 top cap, 1 base.  
1 connector.
- \* **Basic colors on stock:** Yellow, red, orange, black and white



## SIDE VIEW



Volumes, dimensions and other measures are nominal and may vary approximately 2 %.