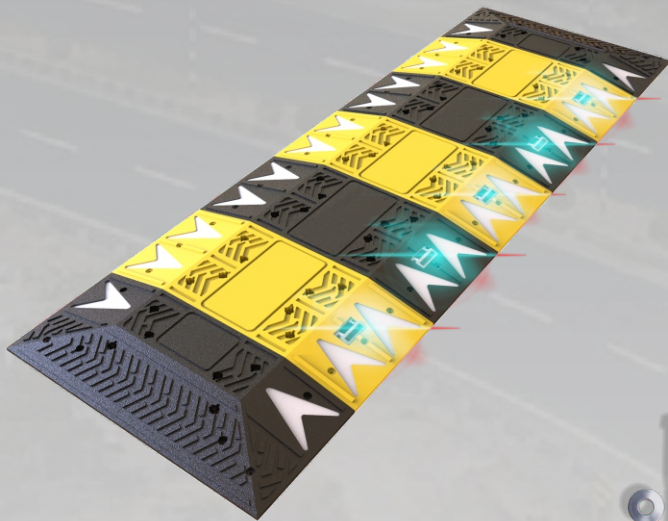


A leader doesn't follow steps
... he marks the way



- Ultrafix screw hex-head \varnothing 3/8" \times 5.85 in.
- Extralarge dubel \varnothing 0.74 in. \times 5.46 in.



WHAT'S A DITCH COVER?

They are devices placed over the asphalt surface that help reduce the speed.

WHAT DOES A DITCH COVER DO?

Its main function is placing it over ditches and by doing so safeguarding the free passage of vehicles.

USES

It's mostly recommended in pedestrian crossings, schools, areas of a big surge of heavy traffic, or places where it's necessary to avoid accidents.

Features

- Its modularization makes it unique on the market.
 - It adapts to desired lengths which makes it versatile.
 - In addition to achieving its main function, it's useful as a speed hump.
 - Made of polyethylene, a material that doesn't damage vehicles or pedestrians and makes it highly resistant to impacts.
 - The steel reinforcement is secured with steel anchors that increase its force and resistance to the passage of vehicles.
 - It's anti-skid thanks to the vibrating lines in high relief on each pattern.
 - It has an optimum height that doesn't rub against the underside of the vehicle.
 - Each module has a pair of locks that help manipulate the speed hump, these also help adjust to ditches of 15.6 in. or 23.4 in. of width.
 - It can be installed permanently with *Ultrafix* screws hex-head of \varnothing 3/8" \times 5.85 in. and *Extralarge* Dubels of \varnothing 0.74 in. \times 5.46 in.
 - Final colors: Black and yellow of great duration with UV protection.
 - Arrow-type reflective areas on each module that bring greater visibility at night (optional).
 - It has the option of adding a light system made of solar LED studs.
- This helps the driver with improved visibility at night.

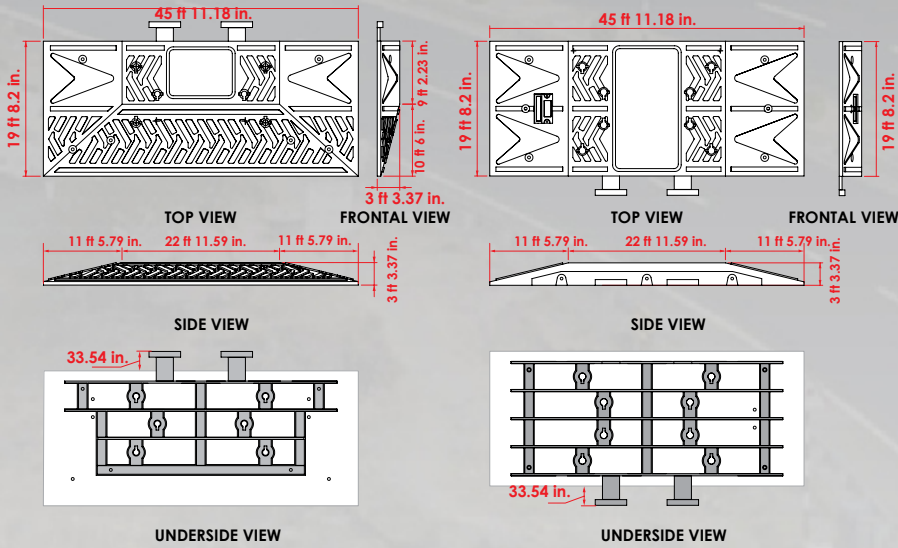
ELECTRONIC SYSTEM

- A stud with a smart solar power system.
- Solar panel and high-efficiency electric system.
- Translucent amber LEDs of 4180 to 6000 mcd with an operational angle of 30 degrees.
- Translucent blue LEDs of 2130 to 4800 mcd with an operational angle of 30 degrees.
- Flash frequency of 3 Hz.
- An exclusive system for speed humps.
- This stud isn't designed for individual use. The optical design of the acrylic micas only shows its efficiency when they're placed on speed bumps.



To maneuver the piece, take out the locks, spin, and introduce the stick.

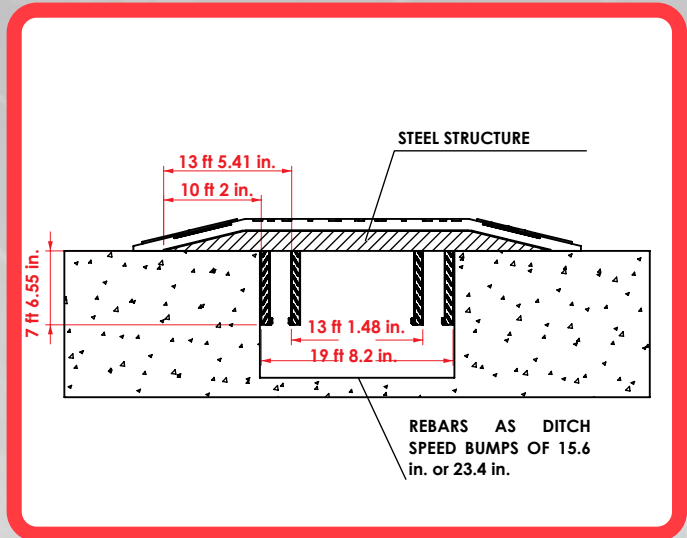
Volumes, dimensions, and other measures are nominal and may vary by approximately 2 %.



Measures

End cap	54.6 in. × 23.4 in. × 3.9 in.
Middle section	54.6 in. × 23.4 in. × 3.9 in.

It adjusts to ditches of 15.6 in. or 23.4 in.



anchor

The ditch cover will act as a template. Mark all the holes with a drill and a 3/4" drill bit. Then, bore into the marked area at a depth of 7". Put the dubels in the holes, assemble the speed hump, insert the screws and flat washers of 3/8" and perfectly tighten them with a 9/16" socket.

