

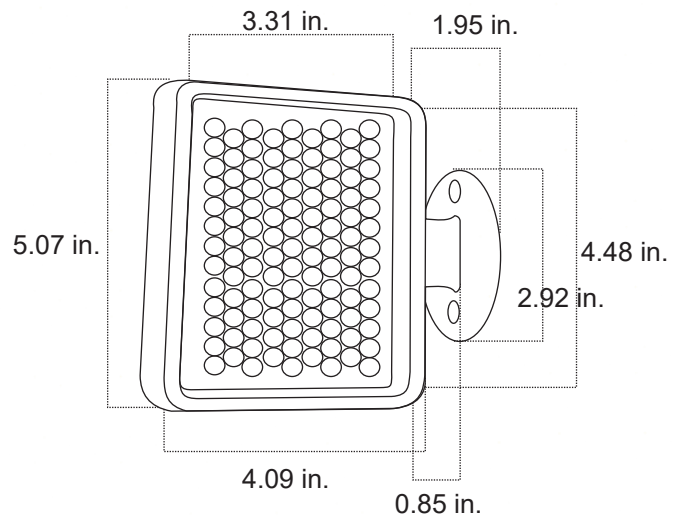
REFLECTIVE MARKER BRACKET FOR BARRIERS

MRB-12



Features

- * A bracket for plastic or concrete barriers.
- * High reflectivity.
- * UV ray protection.



Technical specifications

- * Body's manufacture: polyethylene
- * Reflective's manufacture: metallic acrylic cat eye reflector
- * Measures: Length: 1.17 in. Height: 4.95 in.
- * Reflective color: amber
- * Reflective surface per face: 15.64 in²
- * Effective contact surface: 26.4 in²

Volumes, dimensions, and other measures are nominal and may vary by approximately 2 %.