



Comply with NOM-034-SCT2/SEDATU-2022

Technical Features

- Lightweight body manufactured in high density polymer in black color, designed in a single piece to one face.
- Resistance to inclemency and temperature changes with UV protection.
- Humidity-proof and recyclable: long lifespan due it doesn't rusts.
- Vandal-proof due plastic material has zero resale value, avoiding thefts.
- Stackable, reduce transport and storage costs.
- Easy installation; posteflex® with tubular reinforcement on the interior or steel RHS post.
- Subjected to a 80° test.

LABEL

- *Restrictive*: Prismatic reflective background in white, texts and fillet in opaque black vinyl, ring in red color.
- *Preventive*: Prismatic reflective background in yellow color, texts and fillet in opaque black vinyl.
- *Recreation*: Prismatic reflective background in blue, texts and fillet in opaque white vinyl.
- *Service*: Reflective background in blue color, tests and filetel in opaque black vinyl.
- Guaranteed Vinyl Adherence
- Note: It can be customized with institution logo, if desired with digital printing.

A leader doesn't follow.
marks the way...

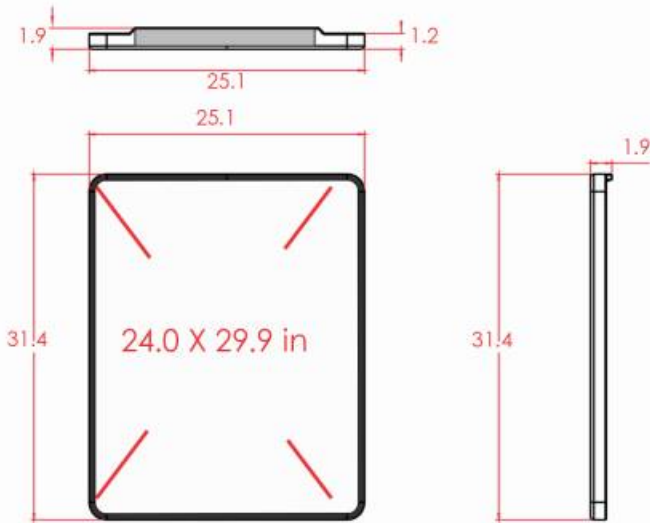
WHAT ARE THE EXCLUSIVE SIGNS?

- Exclusive board with exceptional measures that fusion sign with additional board.
- These signs are boards fixed in posts.
- With symbols and/or captions to guide and indicate user in urban and rural zone the existence of physical limitations, prohibitions that regulate transit, prevention, service, tourist and protection.
- Exclusive signs with the ideal size to complement the additional device in rectangular shape.
- Ideal board for PREVENTIVE, RESTRICTIVE, TEMPORARY TRAFFIC CONTROL, RECREATION, SERVICE AND INCIDENT MANAGEMENT signs.
- Ask for the information with more than 1100 variables of signs with additional information.



Dimensions and other measures are nominal and may vary by +/- 2%.

Measures in: in



Measurements

General Measures	Length: 25.1 in
	Width: 1.9 in
	Height: 31.4 in
Vinyl Dimensions:	Length: 24.0 in
	Height: 29.9 in
Reflective Material:	According to the design
Posteflex® Dimensions :	Width: 1.9 x 1.9 in
	Length: 13.1 ft
	Thickness: 0.19 in
	Width: 1.9 x 1.9 in
	Length: 9.8 ft
	Thickness: 0.11 in



POSTEFLEX®

Height
En urban and interurban roads,
lower part of board is 8.2 ft above
sidewalk level or shoulder.

