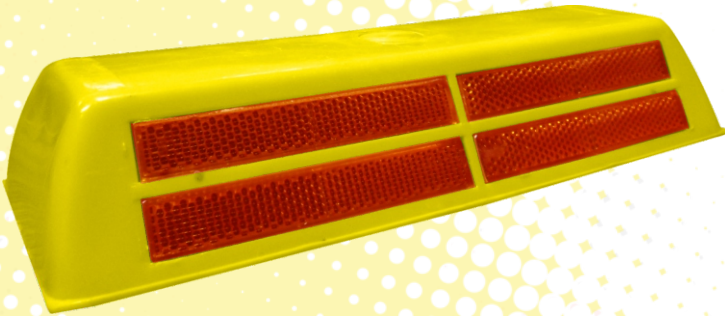


ABS SUPER ROAD STUD

TP-25

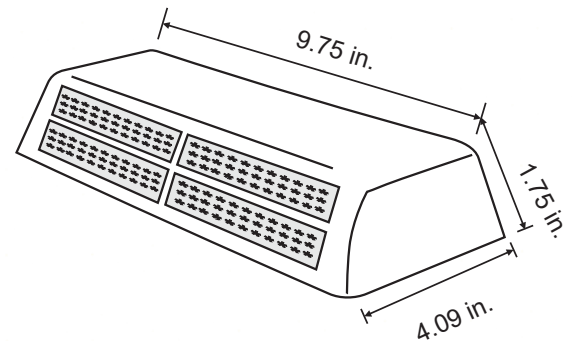


Features

- A trapezoidal-shaped safety device.
- An accessory designed in ABS plastic for work protection.
- The resistance to UV rays and weather guarantees its long working life and avoids breaks.
- Easy to clean. It has resistance to liquids and solvents.
- It frequently serves as a lane separator or speed bump on medium and high-speed highways.
- It has four amber or red reflective stripes on its front of 2.4 in² to increase its visibility at night.
- Two plastic bolts (optional).

Technical specifications

- * **Made of:** Medium-density polyethylene.
- * **Approx. weight:** 4.68 lb.
Sup: 7.6 in. Lower diameter: 16.18 in.
- * **Dimensions:** Height: 3 ft 9 in.
- * **Optional reflective:** Engineer Grade (other grades of reflective upon request).



Volumes, dimensions, and other measures are nominal and may vary by approximately 2%.