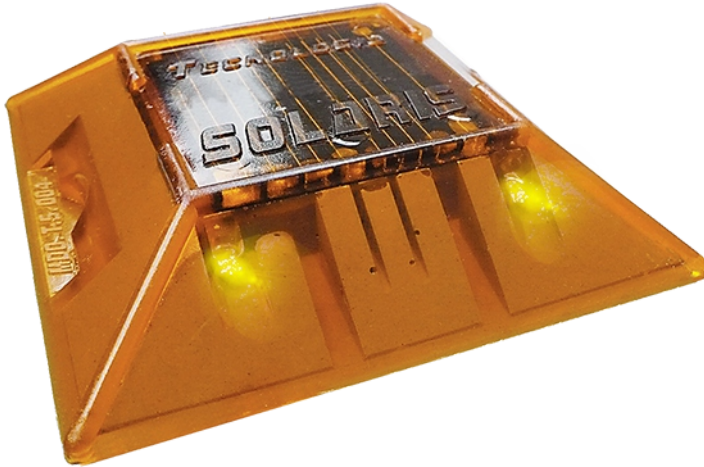


Leader don't follow steps  
... marks the way



## WHAT IS A SOLARIS ROAD STUD?

Irreplaceable visual reference on any roadway to limit and mark lanes at any hour, due to its physic characteristics have maximum visibility and extended service life. Also is capable to support all vehicle type weight, from a bicycle to a trailer truck.

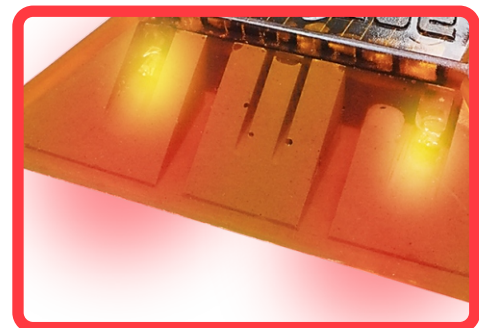
Has a trunked pyramidal body forged in aluminium for a better strong and resistance.

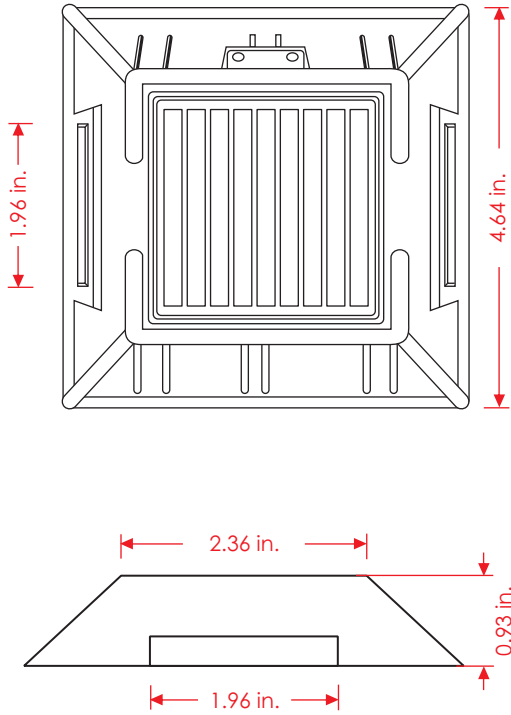
Its and idoneus device for curves areas, entrances, parking lots, two way streets and else.

Images are mere illustrative models .

## FEATURES

- Friction, abrasion, impacts and shock resistant.
- Rounded body without sharpen edges, non cutting corners, an absolutely harmless product.
- Useful as a very visible guide on road and a speed reducer also.
- The device charge on daylight its batteries and turn on its leds during night.
- Avant garde design with solar technology and very efficient flashing or fixed light from emisor diodes (Led) that can long for 10 years of service.
- Great visibility no matter the visibility condition.
- Its solar panel is one of the biggest, so returns more energy to leds, and these means more visible from a larger distance.
- The road stud can have one luminous face or two, depending, to install on two ways streets.





## Technical Specifications

<b>Manufactured out in :</b>	Polycarbonate.
<b>Aprox. weight:</b>	290.5 gr.
<b>Measure:</b>	Base: 4.64 in. x side, height: 1.96 in.
<b>Mini solar panel:</b>	Silicon.
<b>Led color:</b>	high intensity white, amber or red.
<b>Led clusters:</b>	From 1 to 5, in 1 or both faces (bidirectional).
<b>Leds life duration aprox.:</b>	100,000 hrs.
<b>Led luminous intensity</b>	+ 6500 milicandelas.
<b>Battery material:</b>	NK-MTH.
<b>Battery capacity memory:</b>	650 ma.
<b>Light flashing sequency:</b>	80 flashes by minute.
<b>Body Color:</b>	Amber.
<b>Led's visibility from a distance of:</b>	317 yards.
<b>Circuit efficiency:</b>	For 118 working hrs needed 7 hrs of charge exposing it to crude, exposed to direct sun.

