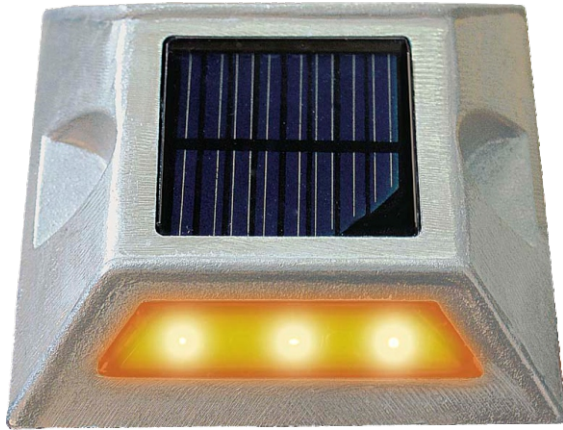


Leader don't follow steps
... marks the way

Images are mere illustrative models .



WHAT IS AN INTELLIGENT ROAD STUD?

Irreplaceable visual reference on any roadway to limit and mark lanes at any hour, due to its physic characteristics have maximum visibility and extended service life. Also is capable to support all vehicle type weight, from a bicycle to a trailer truck.

Has a trunked pyramidal body forged in aluminium for a better strong and resistance.

Its and idoneus device for curves areas, entrances, parking lots, two way streets and else.

FEATURES

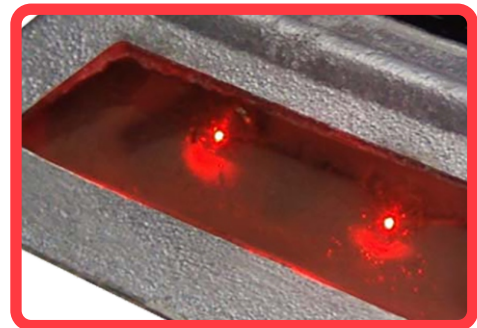
- Friction, abrasion, impacts and shock resistant.
- Useful as a very visible guide on road and a speed reducer also.
- The device charge on daylight its batteries and turn on its leds during night. Avant garde design with solar technology.
- Its solar panel is one of the biggest, so returns more energy to leds, and these means more visible from a larger distance.
- The road stud can have one luminous face or two, depending, to install on two ways streets.

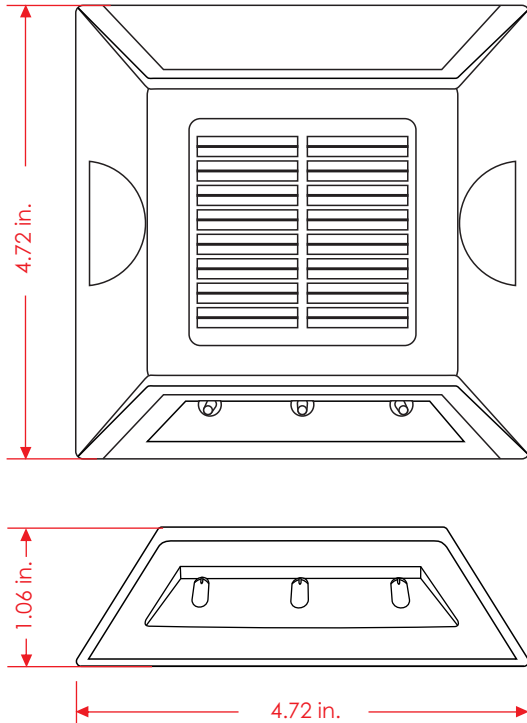
Illumination system (fixed or flashing modes)

- Ultrabright Led: 0,19 in.
- Led Colors: white, amber or red.
- Leds by cluster: 01 to 06 Leds.
- Leds life expectancy : 100,000 hrs.
- Luminous intensity (each led): 6.5 candels.
- Flashing sequence to 80 by minute.
- Maximum distance for led visibility: 320 yd.

Solar powered system features

- Mini solar panel : Silicon Photovoltaic Cell 0.315W/4.4V.
- Ecologic Batteries (long life): NK-MTH Rechargeable 1.2 Volts 600 mAh.
- Programable Circuit Efficiency: 24 hrs. operation / vs. 7 hrs on plain daylight charge.





Technical Data:

Body manufactured out in natural aluminium

- Aprox. Weight: 12,41 oz.
- Measure: Base 4.72x 4.72 in. Height: 1.06 in.

