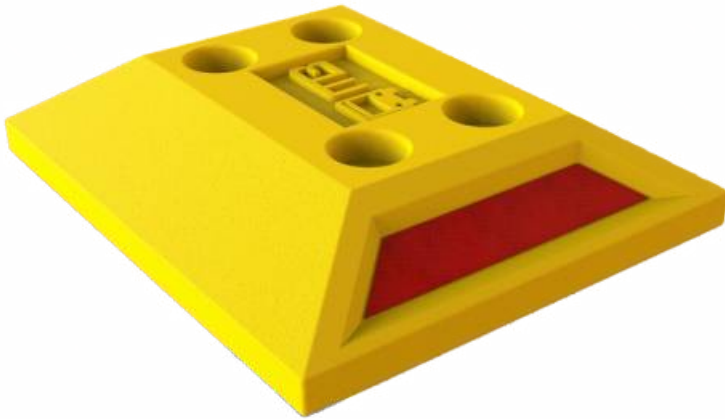


Leader don't follow steps
... marks the way

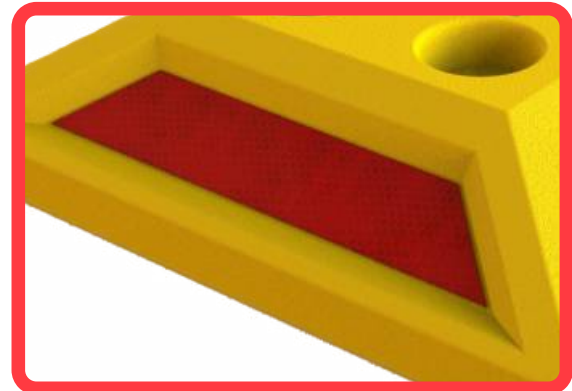
WHAT IS THE SPECIAL 25 ROAD STUD?

- Special road lanes channelizer.
- The device has two reflective faces and a perfect height to guarantee visibility.
- Is a part of the so called horizontal signalers. To install on road and very useful to channelize traffic flow in different ways. Operates as a strong call for drivers attention.
- Its reflectives faces catch the vehicles lights and send back to drivers. High resistance element with lifelong duration.

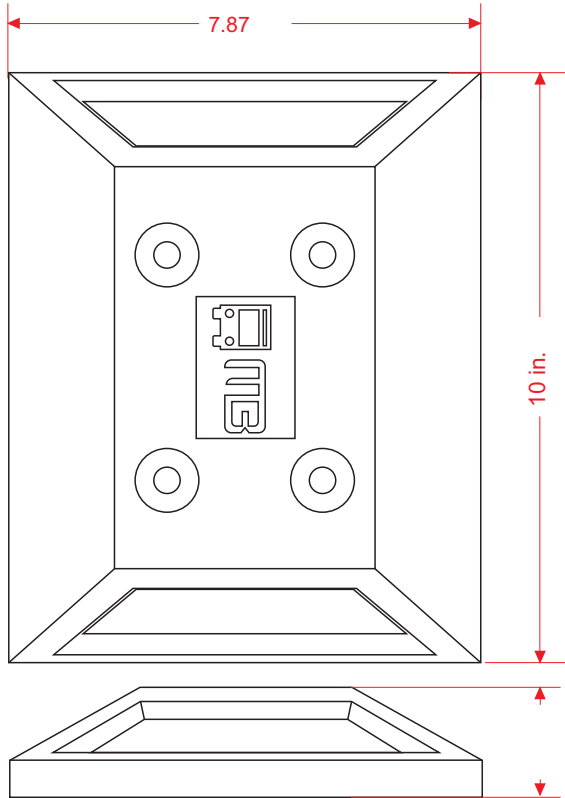


Features

- Made out in one piece plastic.
- Its composition based in medium density polyethylene offers a better performance in terms of resistance, material dilatation even in high temperatures.
- UV ray protected.
- Resistance to humidity, weather changes and corrosion.
- Its height is ideal for tire harmless and for avoid any negative effect on traffic..
- It has two reflectives on front and rear faces for a more visibility device.
- Easy to assembled.
- It has 4 holes to fix on any road.
- With your logo-here option: Each piece can carry your customize symbol or logo.



Measures are nominal and can vary, between +- 2%



Measure in inches

Measure

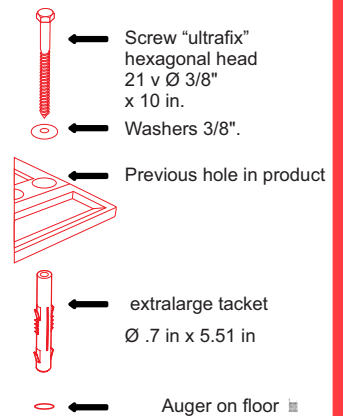
Total	Length: 10 in.
	Width: 7.87 in.
	Height: 1.96 in.
Reflective	Red

installation guide

Mark with precision the auger holes for the stud.

Perforate with a cement drill bit 3/4" till 7" depth. Put the tackets in holes. Surface must be dust and dirt free. Put the tackets and position the 50 stud. Center the 3/8" screw on the correspondent holes with the washers, tight the 4 screws with a 9/16" cube. End of installation.

For better results fill-in the holes with epoxic glue before the screws.



Anchorage System



- "Ultrafix" Screw hexagonal head 21 v Ø 3/8" x 14 cm
- Extralarge tacket Ø .7 in. x 5.51 in.
- washer 3/8"