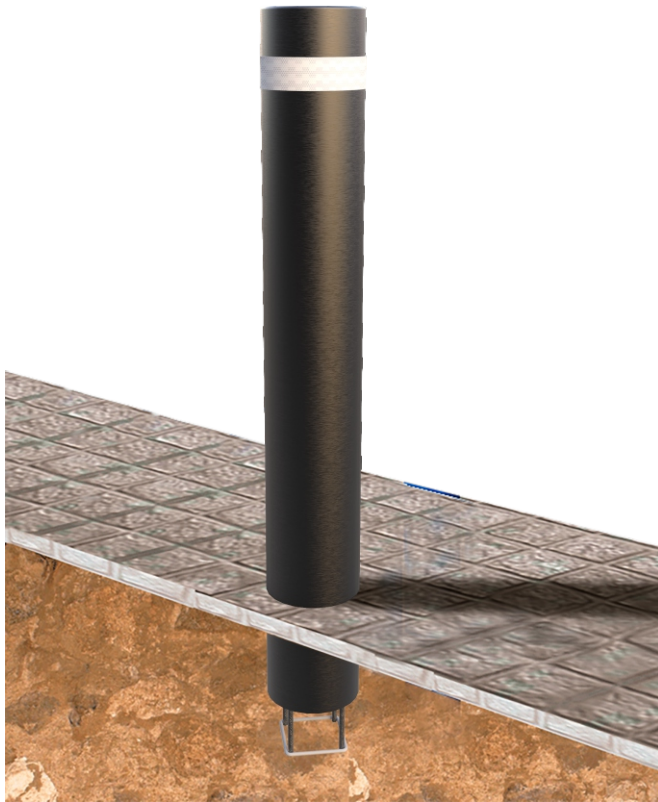


Leader don't follow steps
... marks the way



WHAT LUMINOUS BOLLARDS ARE?

It's an excellent traffic equipment that, at the same time, is useful and also an urban ornament.

Its works avoiding vehicle and motorcycles drivers and else invade the public pedestrians zones and as a safety traffic delimiters.

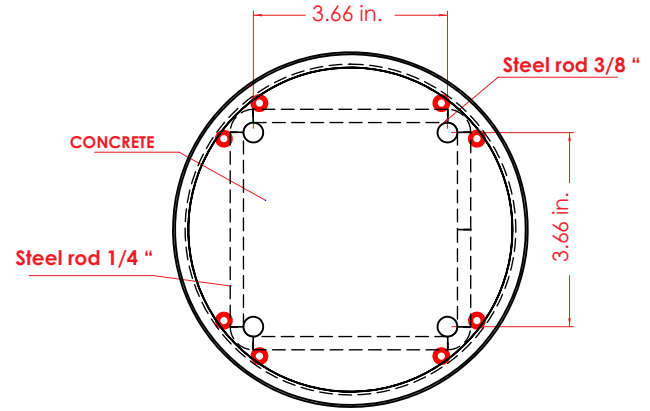
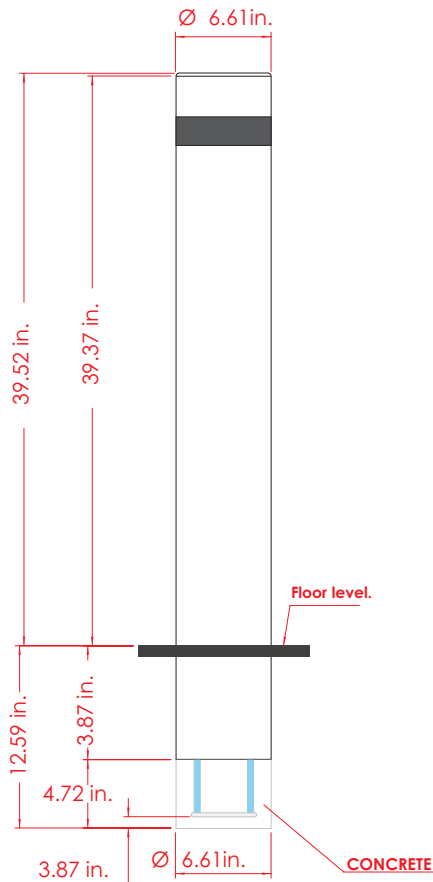
Can be install on any plane surface or floor type.

FEATURES

- Ornament highly resistant, elegant and protective.
- Steel bollards contributes to create a safe and high standard environment in modern cities.
- Includes UV protection and resistant to moisture, extreme weather and also is protected with electrostatic paint.
- By its strong material, works as a deterrance too controlling areas without auto-motors.
- Ideal marker in hospitals, schools, bus stations, airports, shopping malls, etc.
- Has an steel rods armed skeleton to make it a very resistant traffic item.
- Installation by drowning on cement into floor.
- Large longlife and without contaminants.



Measures are nominal and can vary, between +/- 2%. All dimensions in inches.



Measure

Diameter:	Ø 6.61 in.
Total Height:	51.18 in.
Work height:	39.37 in.



Anchorage

First mark the auger ubication, then perforate a hole 10 inches diameter and 9 inches depth with a perforating punch. Clear of dirt the hole as possible and pour the cement mix (previously prepared). Insert just the bollard base, check the level (no more, no less) and fill the rest of the hole to get a good cimentation.

