

Leader don't follow steps
... marks the way

FEATURES

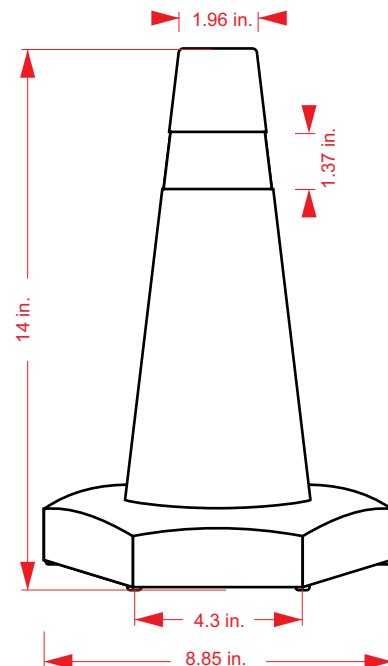
- Semi-flexible cone.
- Hexagonal base made out in one piece.
- Shock resistant.
- Can be use as a traffic deviator.
- Cones are common markers on roads to redirect traffic in a safe way on a temporary basis.
- Useful to distribute lanes, to separate or to merge them, during works on-road or to make a warning due to accidents.
- Bear winds up to 41 mi/h.
- Its base can carry sand for ballast (included) for a better stability..
- Can be use indoors or outdoors.
- Comply with night-work standards.
- Stackables.
- UV ray protected.
- Can carry reflective bands or without them.
- Optional reflective collars are very important for a better visibility to alert drivers.
- Idoneus size for carry in the car trunk.



Images are merely illustrative models.

Technical Data :

- * **Manufactured in:** Medium density polyethylene.
- * **Color:** Traffic orange
- * **Aprox. weight:** 10,51 oz.
- * **Measure:** Hexagonal base: 8.85 in. by side.
Height: 14 in.
- * **Optional Reflective:** Engineering Grade.



Measures are nominal and can vary between +- 2%.